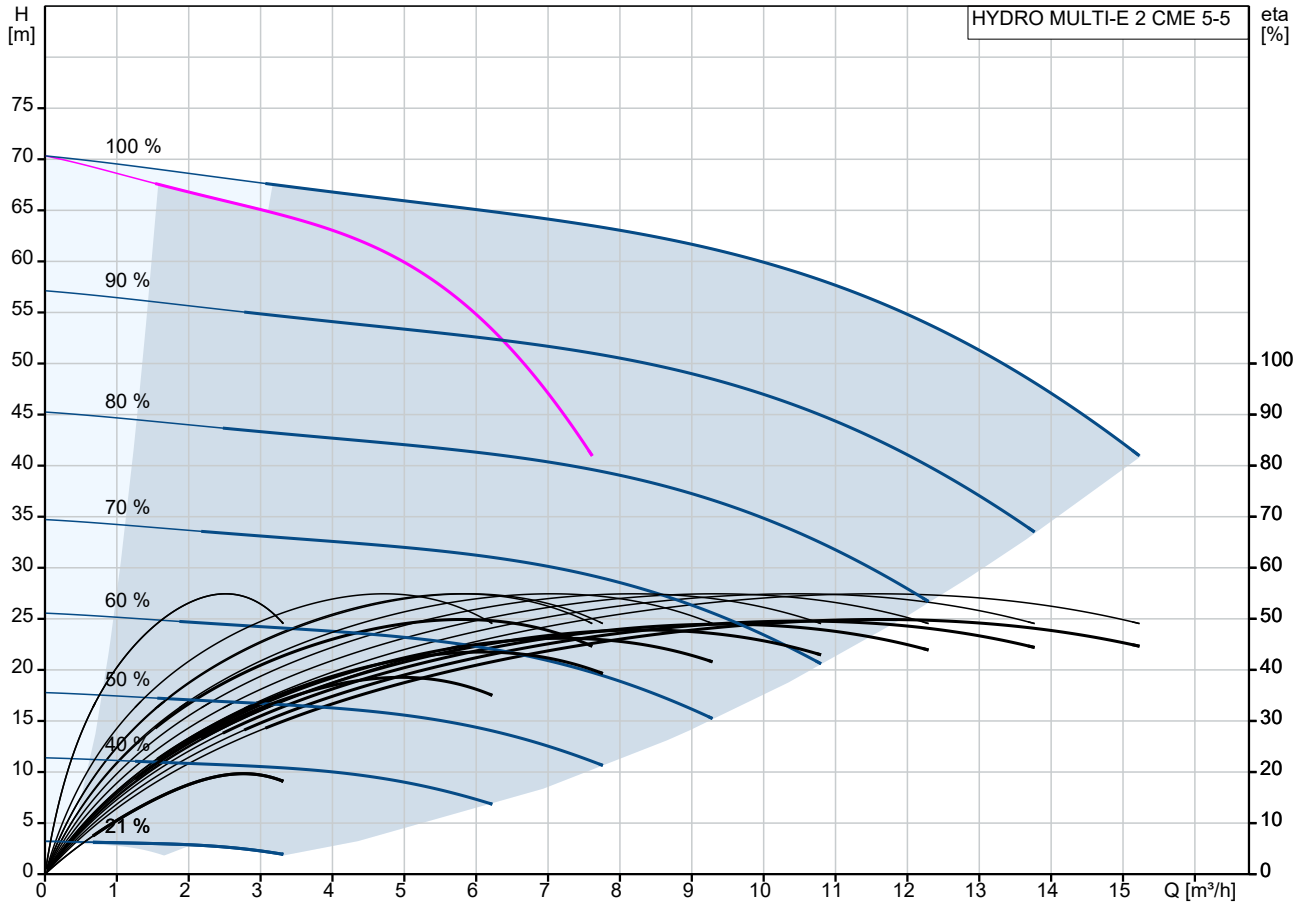
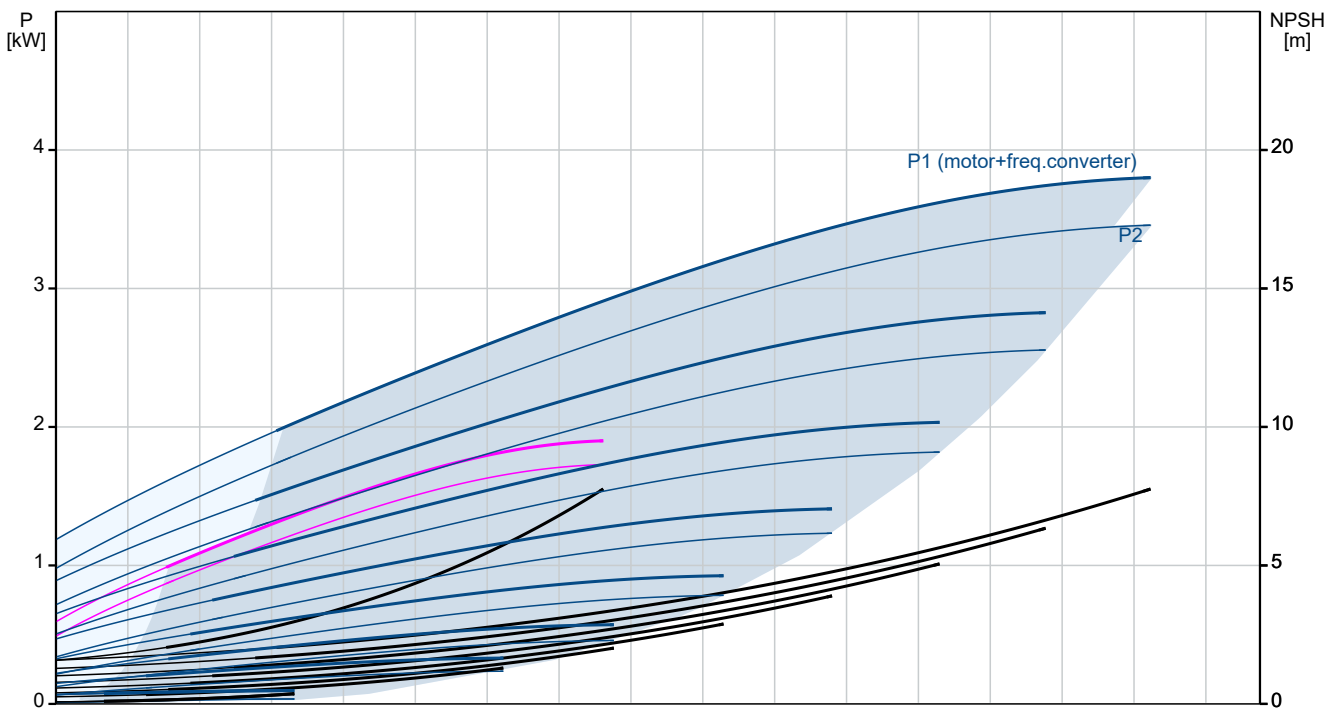


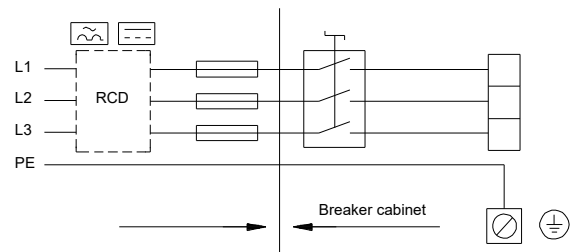
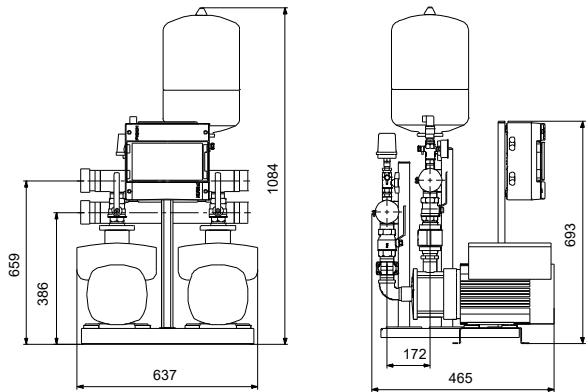
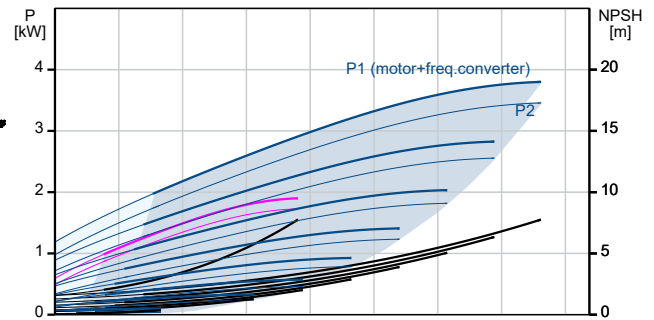
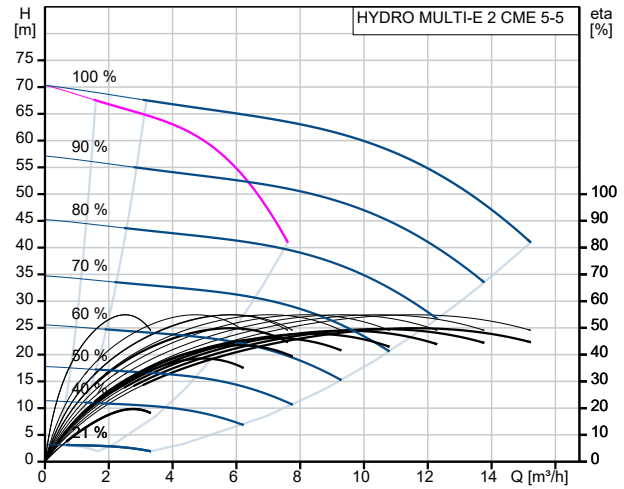
98494946 HYDRO MULTI-E 2 CME 5-5



Losses in fittings and valves not included
 Pumped liquid = Water
 Liquid temperature during operation = 20 °C
 Density = 998.2 kg/m³



Description	Value
General information:	
Product name:	HYDRO MULTI-E 2 CME 5-5
Product No:	98494946
EAN number:	5711496108846
Technical:	
Max flow:	15.2 m ³ /h
Min flow system:	0.47 m ³ /h
Head max:	66.8 m
Pump name:	CME 5-5
Number of pumps:	2
Materials:	
Pump housing:	Cast iron
Manifolds:	Galvanized steel
Installation:	
Range of ambient temperature:	0 .. 50 °C
Maximum operating pressure:	10 bar
Maximum permissible inlet pressure:	PN 10 bar
Flange standard:	
Flange standard:	DIN ISO 7/1
Manifold inlet:	R 2
Manifold outlet:	R 2
Earth connection:	PE
Liquid:	
Pumped liquid:	Water
Liquid temperature range:	5 .. 60 °C
Selected liquid temperature:	20 °C
Density:	998.2 kg/m ³
Electrical data:	
Power (P2) main pump:	2.2 kW
Mains frequency:	50 / 60 Hz
Rated voltage:	3 x 380-415 V
Rated current:	8.3 A
IE Efficiency class:	IE5
Start. method:	E
Enclosure class (IEC 34-5):	IP54
Tank:	
Volume of pressure tank:	8 l
Diaphragm tank:	Y
Others:	
Net weight:	73 kg
Gross weight:	78 kg
Shipping volume:	0.418 m ³
Language:	MULTI



98494946 HYDRO MULTI-E 2 CME 5-5

