

Qty. Description

1 **CM 5-3 O-R-I-E-AVBE C-A-A-N**



Product No.: [98478414](#)

Compact, reliable, horizontal, multistage, end-suction centrifugal pump with axial suction port and radial discharge port. The pump is self-priming and can create a suction lift of up to 8 m metres. Pump materials in contact with the liquid are in stainless steel. The mechanical shaft seal is a special designed, unbalanced O-ring seal. Pipework connection is via internal Whitworth pipe threads, Rp (ISO 7/1).

The pump is fitted with a 1-phase, foot-mounted, fan-cooled asynchronous motor.

Controls:

Frequency converter: None

Liquid:

Pumped liquid: Water
 Liquid temperature range: 0 .. 60 °C
 Selected liquid temperature: 20 °C
 Density: 998.2 kg/m³

Technical:

Pump speed on which pump data are based: 2900 rpm
 Rated flow: 4.7 m³/h
 Rated head: 22.1 m
 Code for shaft seal: AVBE
 Approvals: CE,EAC,UKCA
 Approvals for drinking water: ACS,UBA
 Curve tolerance: ISO9906:2012 3B
 Self priming: 8 m

Materials:

Pump housing: Stainless steel
 EN 1.4301
 AISI 304
 Impeller: Stainless steel
 EN 1.4301
 AISI 304

Installation:

Range of ambient temperature: -20 .. 55 °C
 Maximum operating pressure: 10 bar
 Max pressure at stated temp: 10 bar / 40 °C
 6 bar / 60 °C

Type of connection: Rp
 Size of inlet connection: 1 inch
 Size of outlet connection: 1 inch
 Outlet position: 12

Electrical data:

Motor standard: IEC
 Frame size: 71B



Company name:

Created by:

Phone:

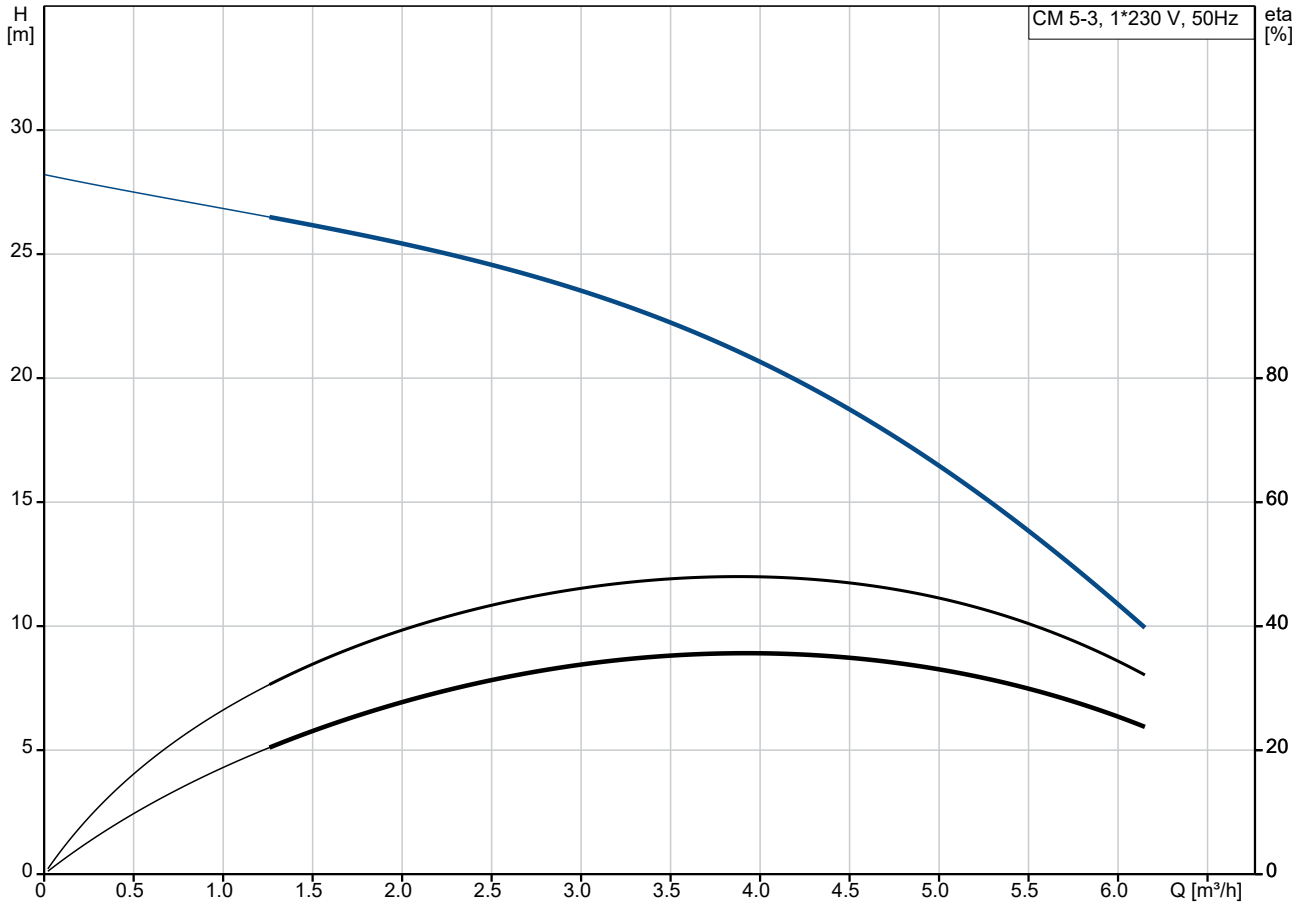
Date:

25/06/2024

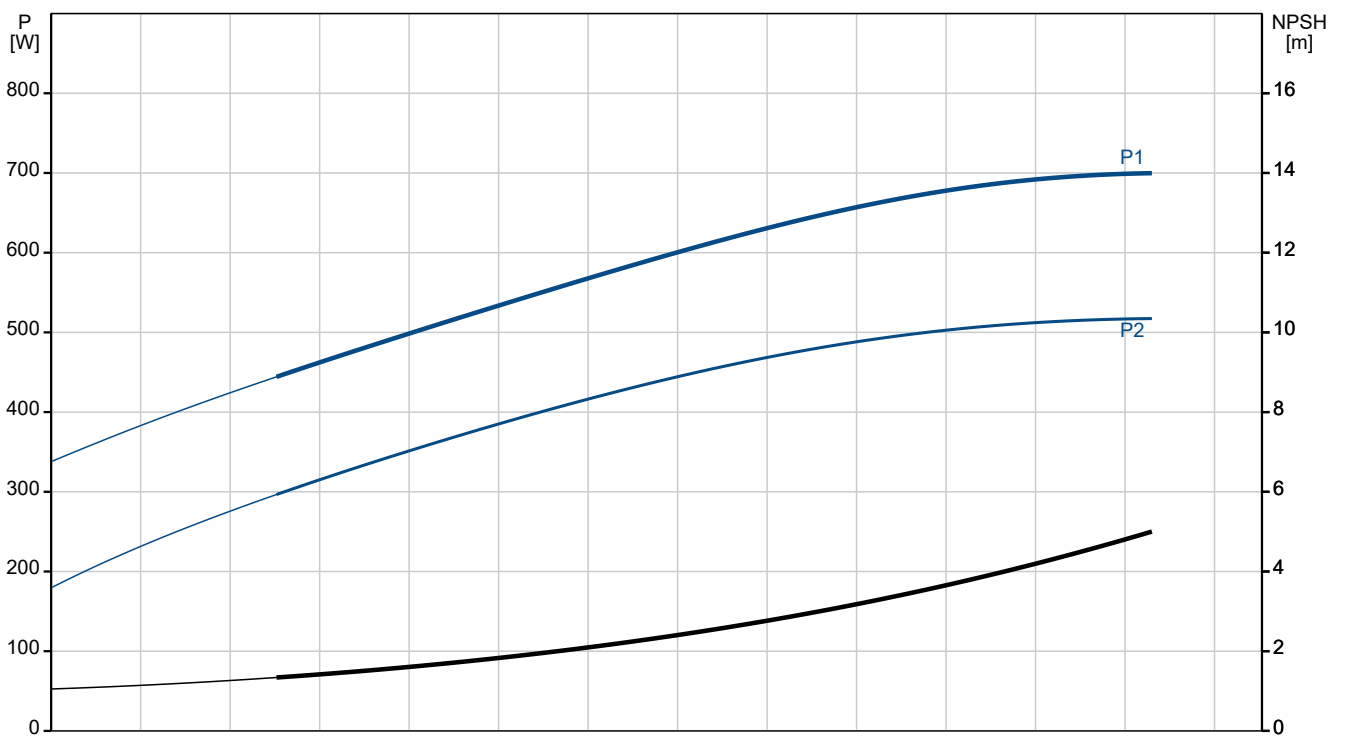
Qty. Description

1	Rated power - P2:	0.5 kW
	Mains frequency:	50 Hz
	Suitable for 50/60 Hz:	N
	Rated voltage:	1 x 220-240 V V
	Service factor:	1.00
	Rated current:	3.1-2.8 A
	Starting current:	530 %
	Rated speed:	2730-2740 rpm
	Enclosure class (IEC 34-5):	IP55
	Insulation class (IEC 85):	F
	Built-in motor protection:	PTO
	Others:	
	Terminal box position:	12
	Minimum efficiency index, MEI ≥:	0.7
	Net weight:	13.8 kg
	Gross weight:	16.3 kg

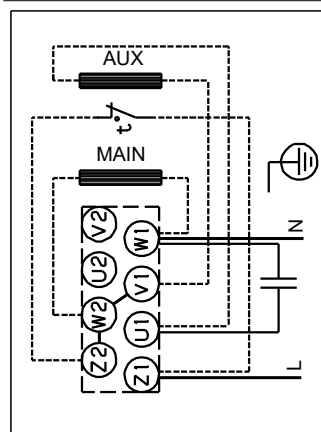
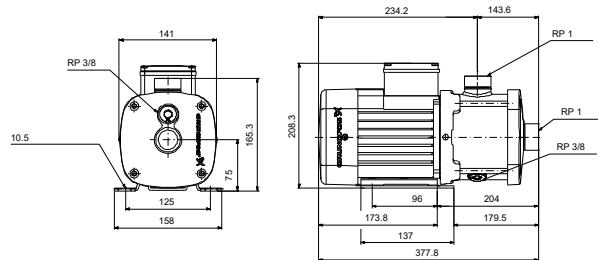
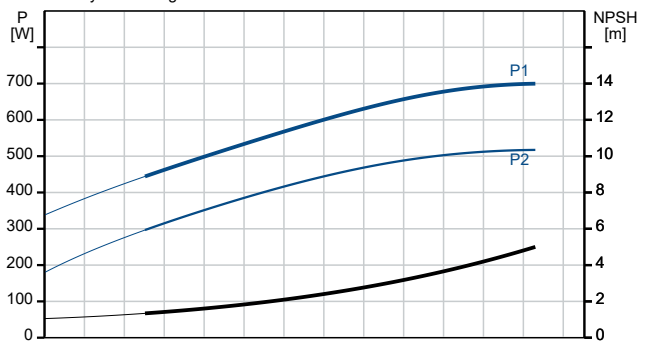
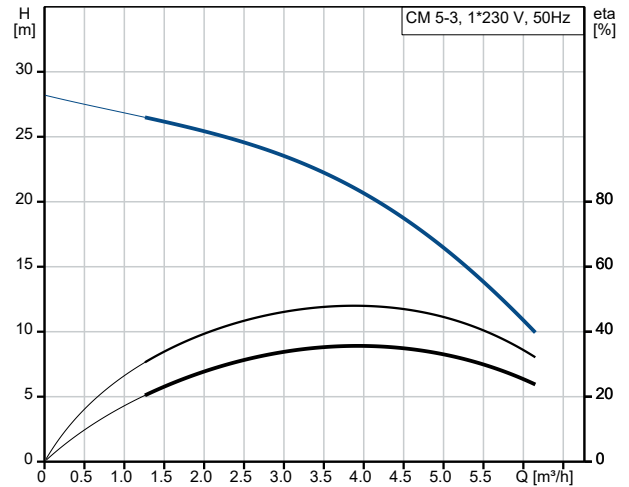
98478414 CM 5-3 O-R-I-E-AVBE C-A-A-N 50 Hz



Pumped liquid = Water
 Liquid temperature during operation = 20 °C
 Density = 998.2 kg/m³



Description	Value
General information:	
Product name:	CM 5-3 O-R-I-E-AVBE C-A-A-N
Product No:	98478414
EAN number:	5711495768843
Technical:	
Pump speed on which pump data are based:	2900 rpm
Rated flow:	4.7 m ³ /h
Rated head:	22.1 m
Impellers:	3
Code for shaft seal:	AVBE
Approvals:	CE,EAC,UKCA
Approvals for drinking water:	ACS,UBA
Curve tolerance:	ISO9906:2012 3B
Pump version:	O
Model:	A
Self priming:	8 m
Materials:	
Pump housing:	Stainless steel
Pump housing:	EN 1.4301
Pump housing:	AISI 304
Impeller:	Stainless steel
Impeller:	EN 1.4301
Impeller:	AISI 304
Material code:	I
Code for rubber:	E
Installation:	
Range of ambient temperature:	-20 .. 55 °C
Maximum operating pressure:	10 bar
Max pressure at stated temp:	10 bar / 40 °C
Max pressure at stated temp:	6 bar / 60 °C
Type of connection:	Rp
Size of inlet connection:	1 inch
Size of outlet connection:	1 inch
Outlet position:	12
Connect code:	R
Liquid:	
Pumped liquid:	Water
Liquid temperature range:	0 .. 60 °C
Selected liquid temperature:	20 °C
Density:	998.2 kg/m ³
Electrical data:	
Motor standard:	IEC
Frame size:	71B
Rated power - P2:	0.5 kW
Mains frequency:	50 Hz
Suitable for 50/60 Hz:	N
Rated voltage:	1 x 220-240 V V
Service factor:	1.00
Rated current:	3.1-2.8 A
Starting current:	530 %
Rated speed:	2730-2740 rpm
Enclosure class (IEC 34-5):	IP55
Insulation class (IEC 85):	F
Built-in motor protection:	PTO
Controls:	
Frequency converter:	None





Company name:

Created by:

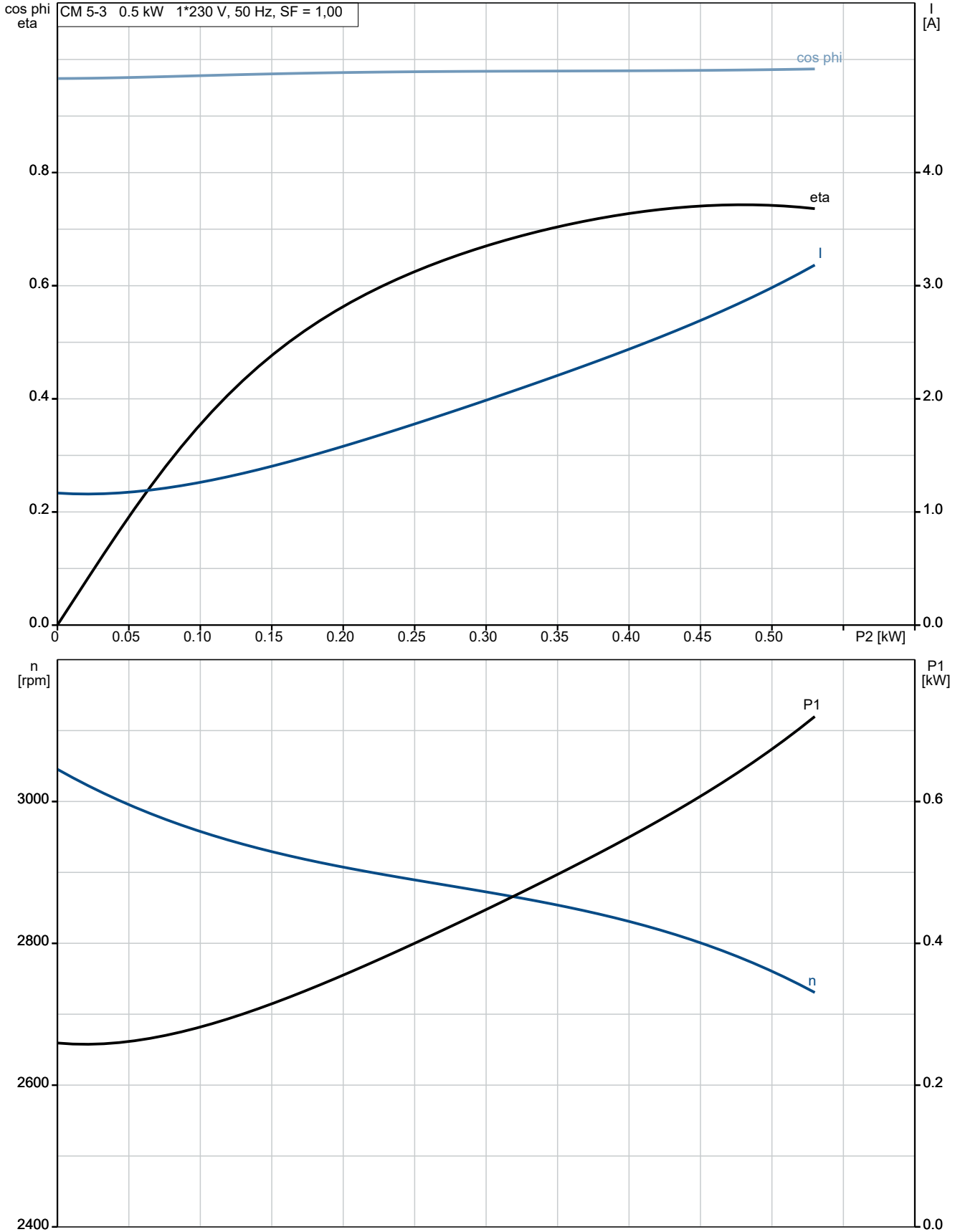
Phone:

Date:

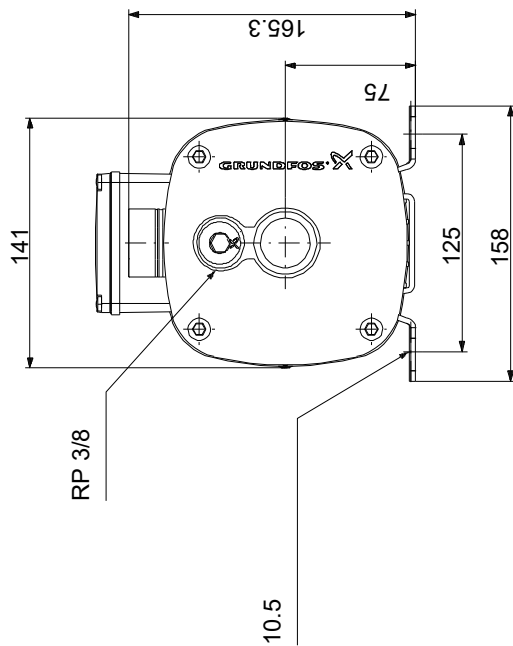
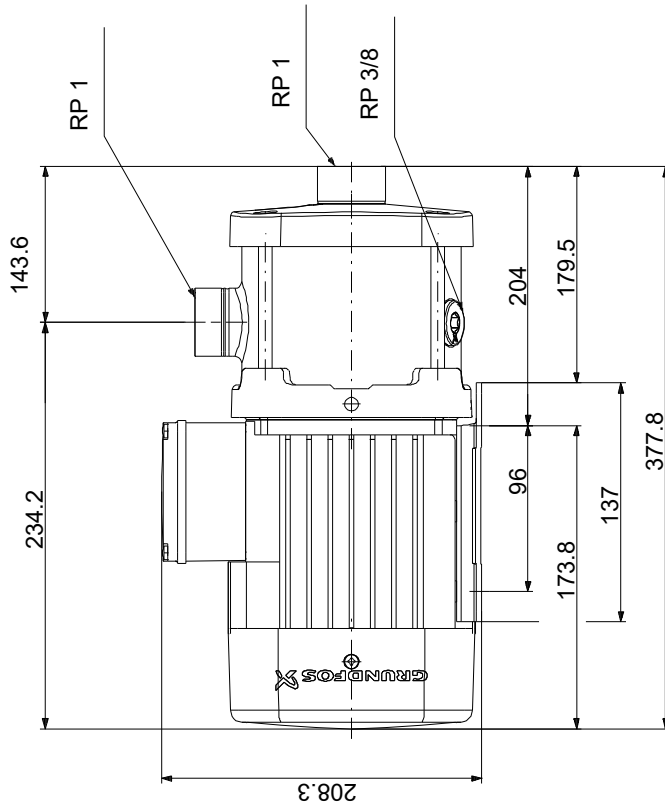
25/06/2024

Description	Value
Others:	
Terminal box position:	12
Minimum efficiency index, MEI ≥:	0.7
Net weight:	13.8 kg
Gross weight:	16.3 kg

98478414 CM 5-3 O-R-I-E-AVBE C-A-A-N 50 Hz



98478414 CM 5-3 O-R-I-E-AVBE C-A-A-N 50 Hz



Note! All units are in [mm] unless others are stated.
Disclaimer: This simplified dimensional drawing does not show all details.