

Qty. Description

1 **CM 3-3 A-R-A-E-AVBE C-A-A-N**



Note! Product picture may differ from actual product

Product No.: [96806803](#)

Compact, reliable, horizontal, multistage, end-suction centrifugal pump with axial suction port and radial discharge port. The shaft, impellers and chambers are made of stainless steel. The inlet and discharge parts are made of cast iron. The mechanical shaft seal is a special designed, unbalanced O-ring seal. Pipework connection is via internal Whitworth pipe threads, Rp (ISO 7/1).

The pump is fitted with a 1-phase, foot-mounted, fan-cooled asynchronous motor.

Controls:

Frequency converter: None

Liquid:

Liquid temperature range: -20 .. 90 °C

Technical:

Pump speed on which pump data are based: 2900 rpm

Rated flow: 13.6 US GPM

Rated head: 20.61 m

Code for shaft seal: AVBE

Approvals: CE,EAC,UKCA

Approvals for drinking water: ACS,NSF61

Curve tolerance: ISO9906:2012 3B

Materials:

Pump housing: Cast iron
EN-GJL-200
ASTM A48-25A

Impeller: Stainless steel
EN 1.4301
AISI 304

Installation:

Range of ambient temperature: -20 .. 55 °C

Maximum operating pressure: 10 bar

Max pressure at stated temp: 10 bar / 40 °C
6 bar / 90 °C

Type of connection: Rp

Size of inlet connection: 1 inch

Size of outlet connection: 1 inch

Outlet position: 12

Electrical data:

Motor standard: IEC

Frame size: 71B

Rated power - P2: 0.5 kW

Mains frequency: 50 Hz



Company name:

Created by:

Phone:

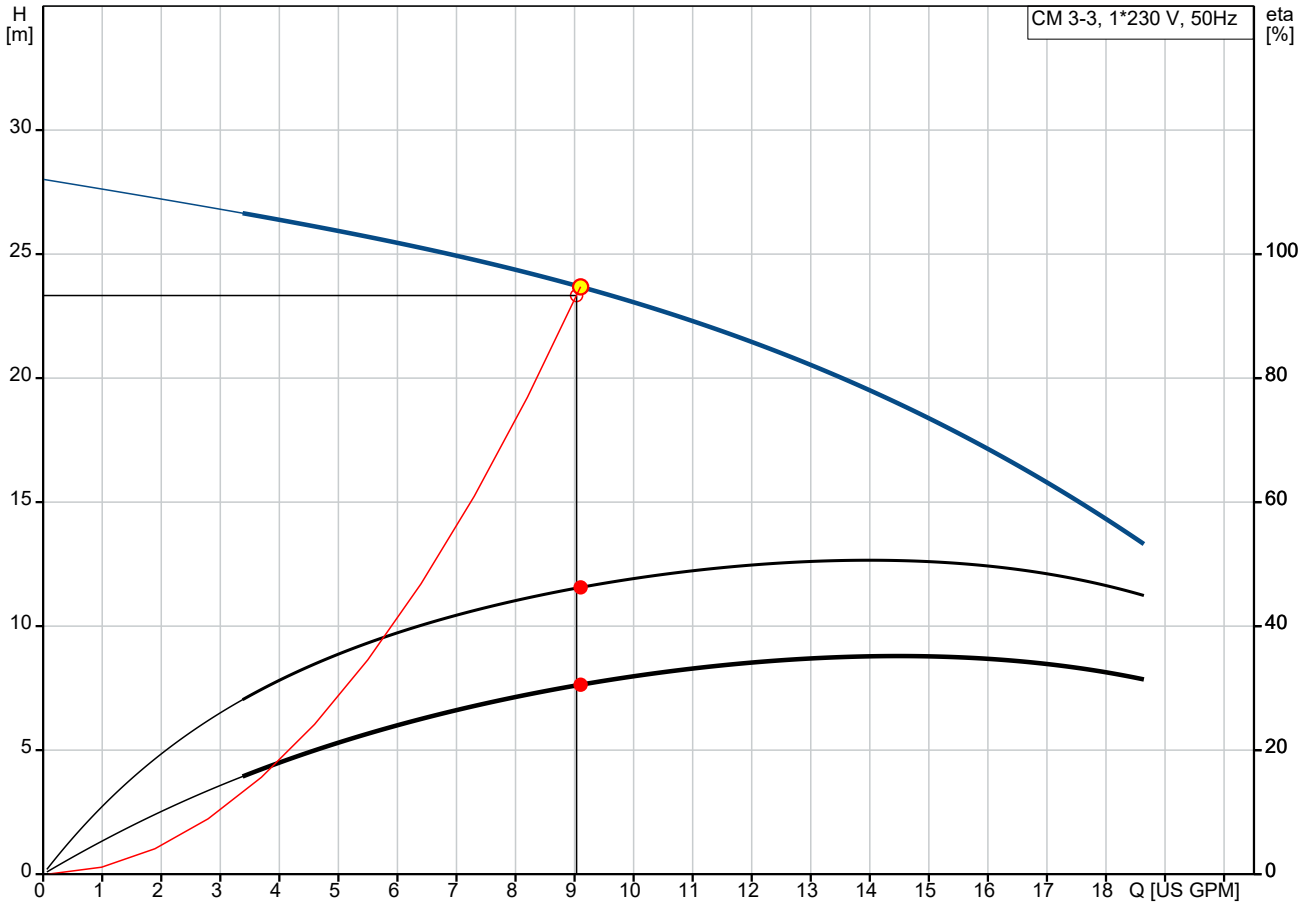
Date:

21/12/2023

Qty. Description

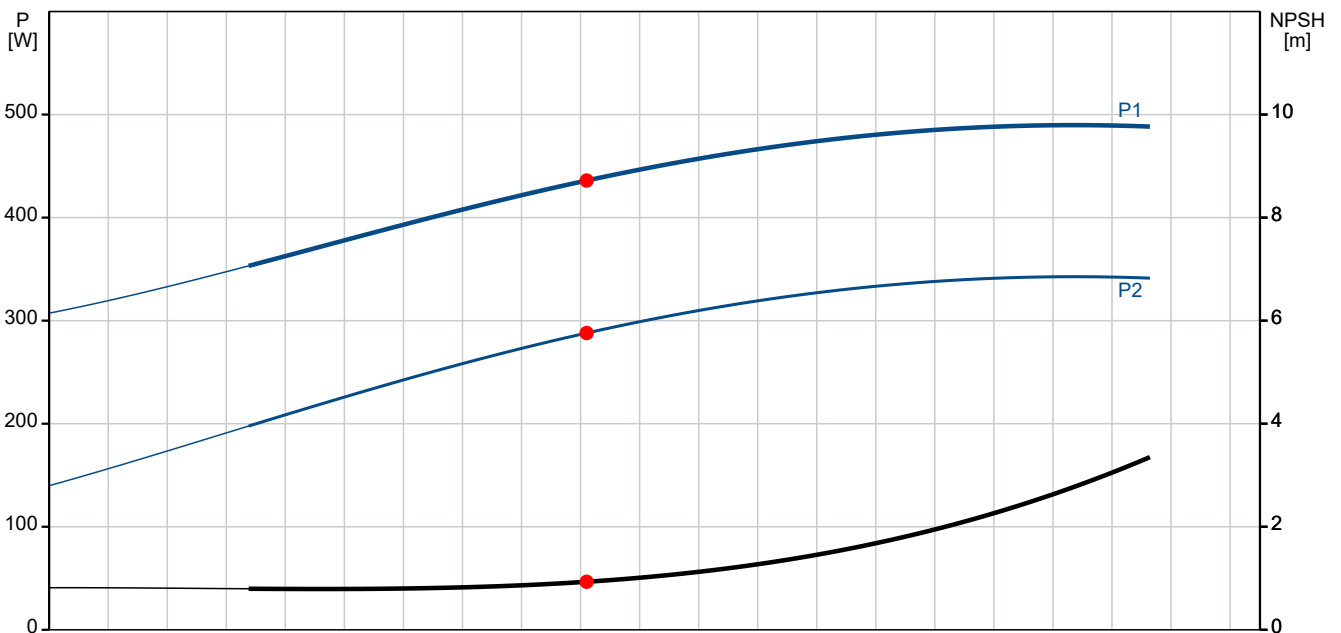
1	Suitable for 50/60 Hz:	N
	Rated voltage:	1 x 220-240 V V
	Service factor:	1.00
	Rated current:	3.1-2.8 A
	Starting current:	530-530 %
	Rated speed:	2730-2740 rpm
	Enclosure class (IEC 34-5):	IP55
	Insulation class (IEC 85):	F
	Built-in motor protection:	PTO
	Cable included (Yes/No):	N
	Others:	
	Terminal box position:	12
	Minimum efficiency index, MEI ≥:	0.7
	Net weight:	12 kg
	Gross weight:	14.5 kg

96806803 CM 3-3 A-R-A-E-AVBE C-A-A-N 50 Hz



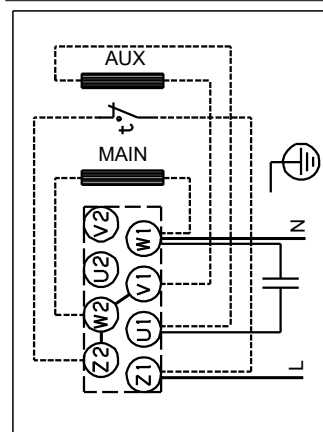
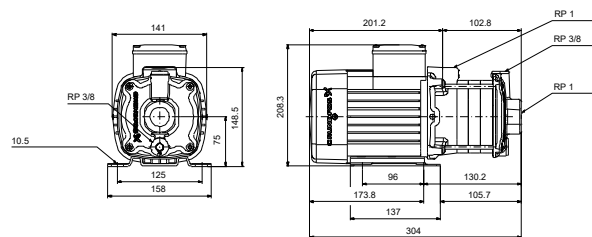
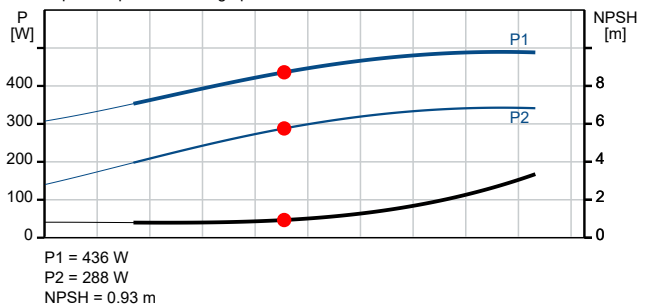
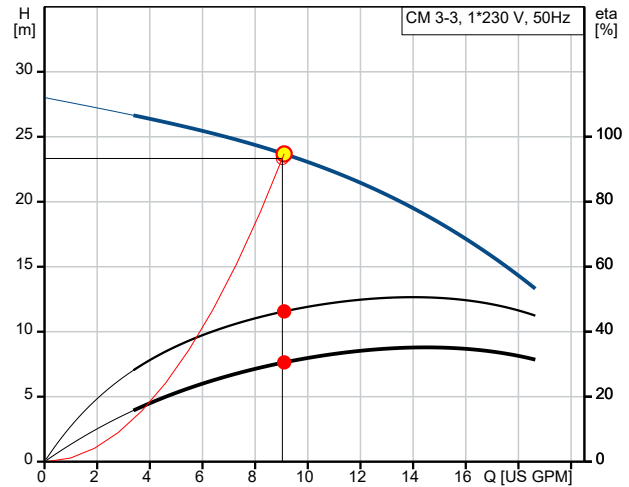
Q = 9.11 US GPM
 n = 2877 rpm
 Liquid temperature during operation = 20 °C
 Eta pump = 46.3 %

H = 23.68 m
 Pumped liquid = Water
 Density = 998.2 kg/m³
 Eta pump+motor = 30.6 %



P1 = 436 W
 P2 = 288 W
 NPSH = 0.93 m

Description	Value
General information:	
Product name:	CM 3-3 A-R-A-E-AVBE C-A-A-N
Product No:	96806803
EAN number:	5700310917504
Technical:	
Pump speed on which pump data are based:	2900 rpm
Rated flow:	13.6 US GPM
Rated head:	20.61 m
Impellers:	3
Code for shaft seal:	AVBE
Approvals:	CE,EAC,UKCA
Approvals for drinking water:	ACS,NSF61
Curve tolerance:	ISO9906:2012 3B
Pump version:	A
Model:	A
Materials:	
Pump housing:	Cast iron
Pump housing:	EN-GJL-200
Pump housing:	ASTM A48-25A
Impeller:	Stainless steel
Impeller:	EN 1.4301
Impeller:	AISI 304
Material code:	A
Code for rubber:	E
Installation:	
Range of ambient temperature:	-20 .. 55 °C
Maximum operating pressure:	10 bar
Max pressure at stated temp:	10 bar / 40 °C
Max pressure at stated temp:	6 bar / 90 °C
Type of connection:	Rp
Size of inlet connection:	1 inch
Size of outlet connection:	1 inch
Outlet position:	12
Connect code:	R
Liquid:	
Liquid temperature range:	-20 .. 90 °C
Electrical data:	
Motor standard:	IEC
Frame size:	71B
Rated power - P2:	0.5 kW
Mains frequency:	50 Hz
Suitable for 50/60 Hz:	N
Rated voltage:	1 x 220-240 V V
Service factor:	1.00
Rated current:	3.1-2.8 A
Starting current:	530-530 %
Rated speed:	2730-2740 rpm
Enclosure class (IEC 34-5):	IP55
Insulation class (IEC 85):	F
Built-in motor protection:	PTO
Cable included (Yes/No):	N
Controls:	
Frequency converter:	None
Others:	
Terminal box position:	12
Minimum efficiency index, MEI ≥:	0.7





Company name:

Created by:

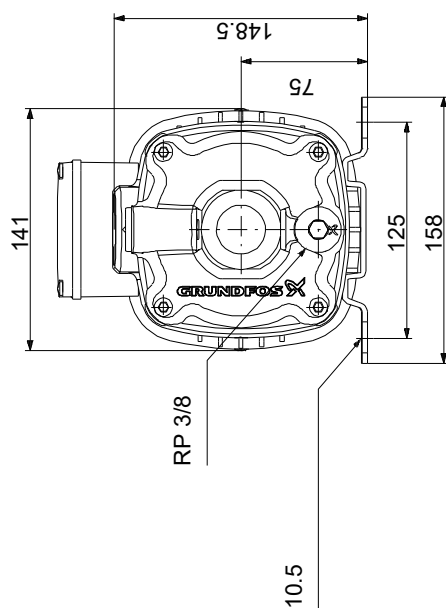
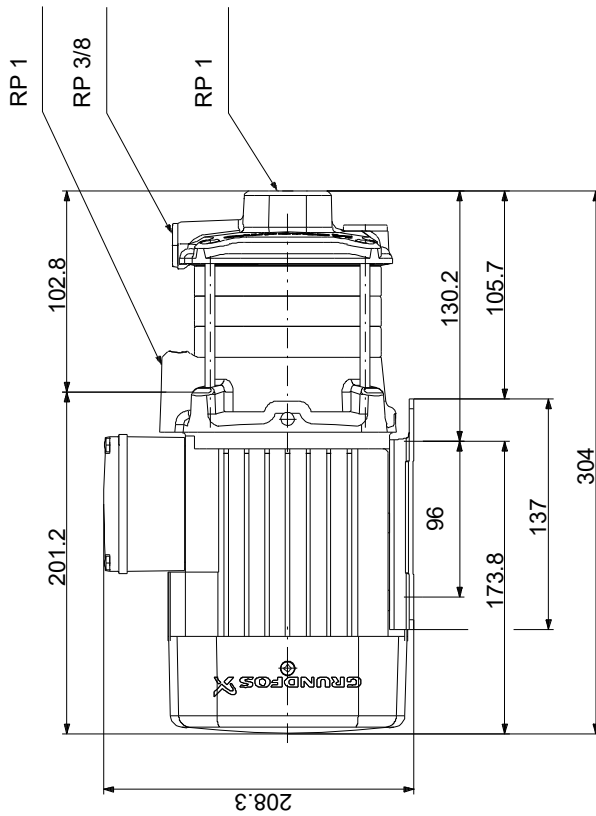
Phone:

Date:

21/12/2023

Description	Value
Net weight:	12 kg
Gross weight:	14.5 kg

96806803 CM 3-3 A-R-A-E-AVBE C-A-A-N 50 Hz



Note! All units are in [mm] unless others are stated.
Disclaimer: This simplified dimensional drawing does not show all details.