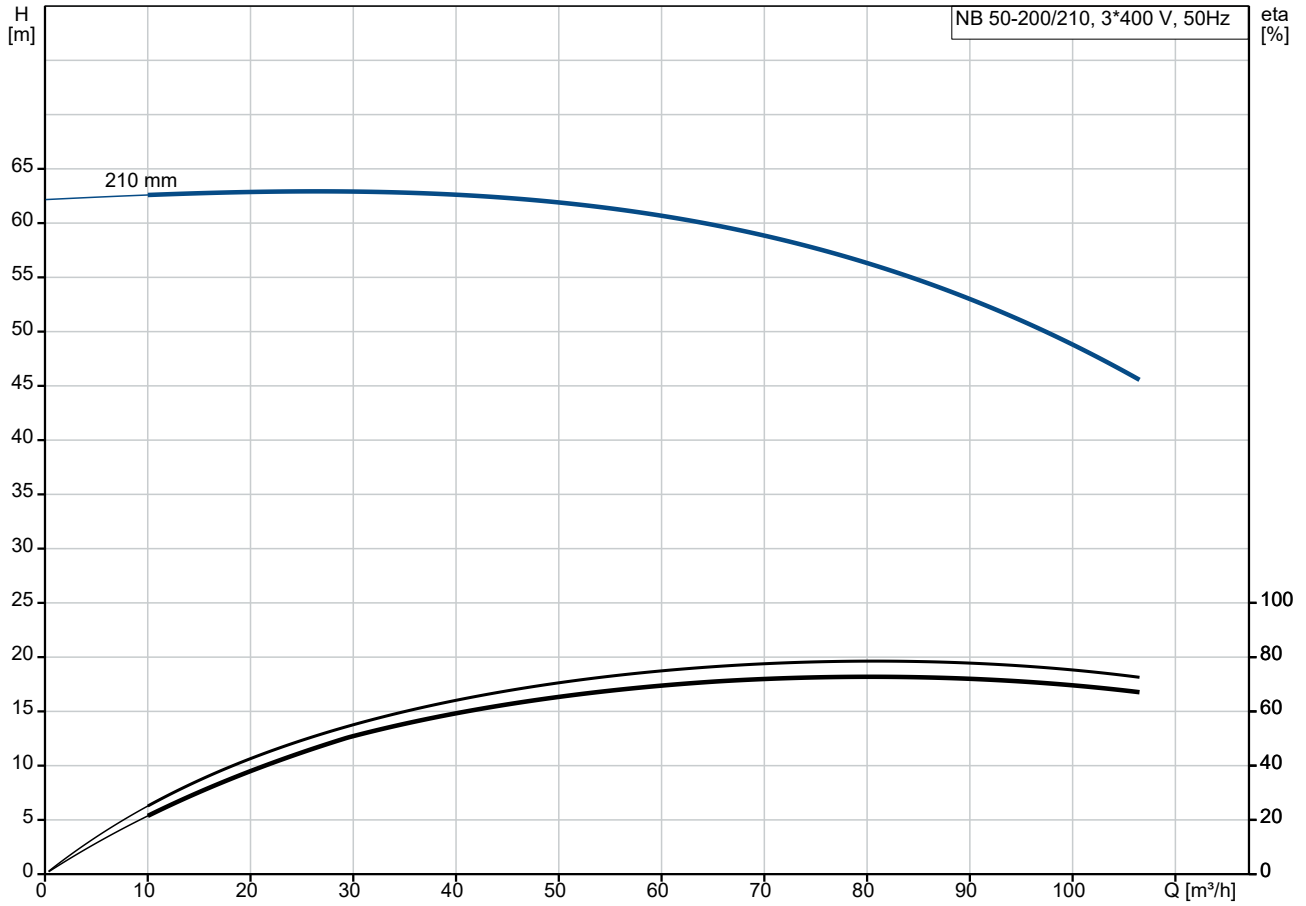
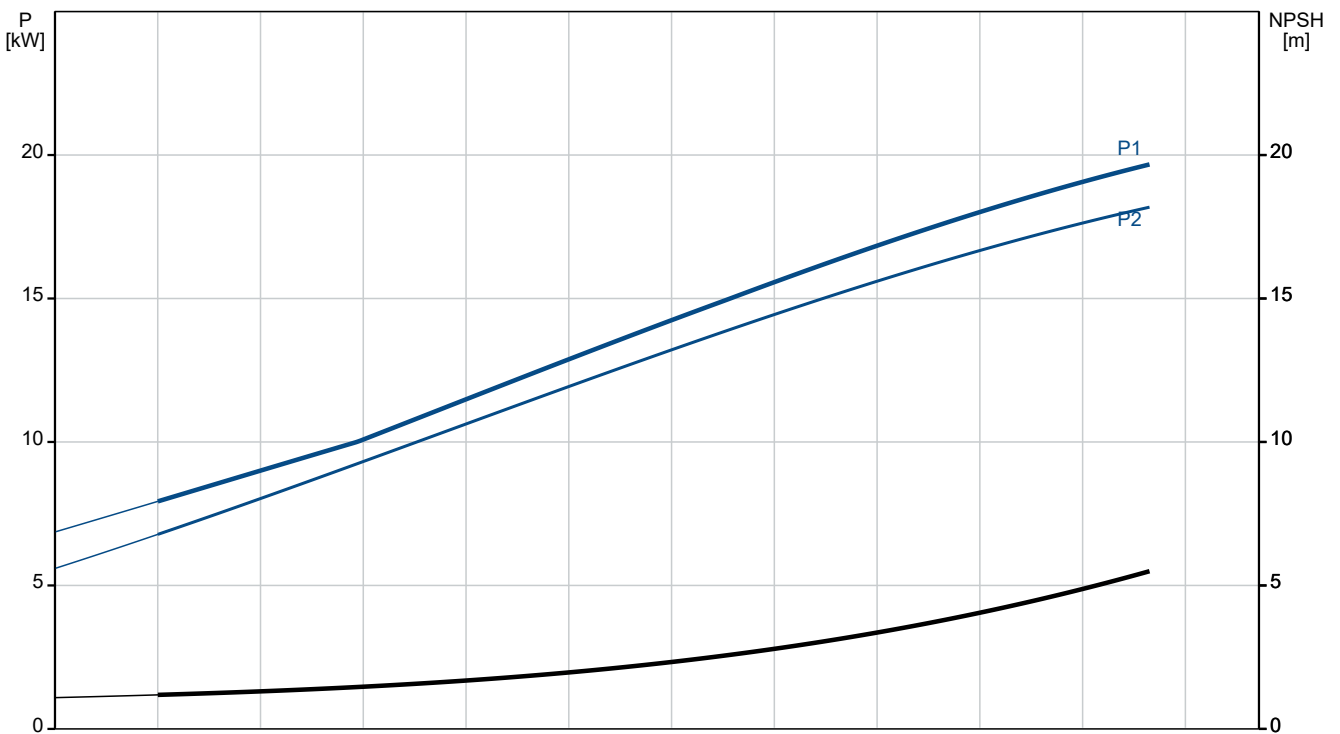


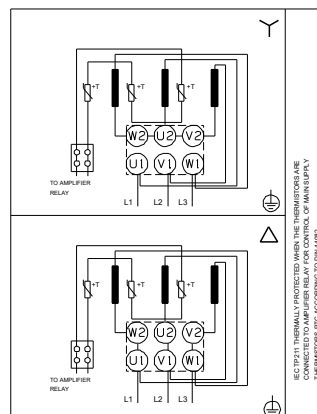
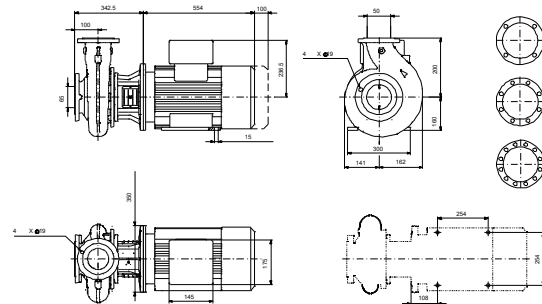
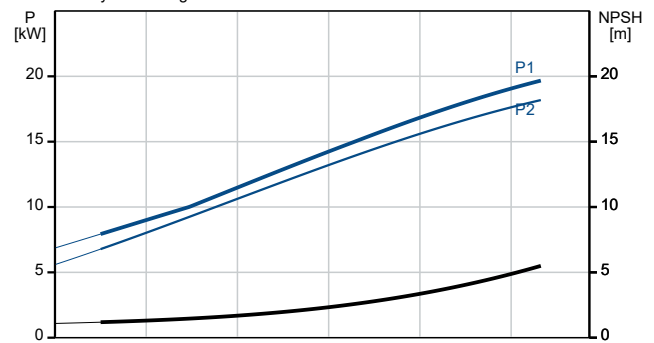
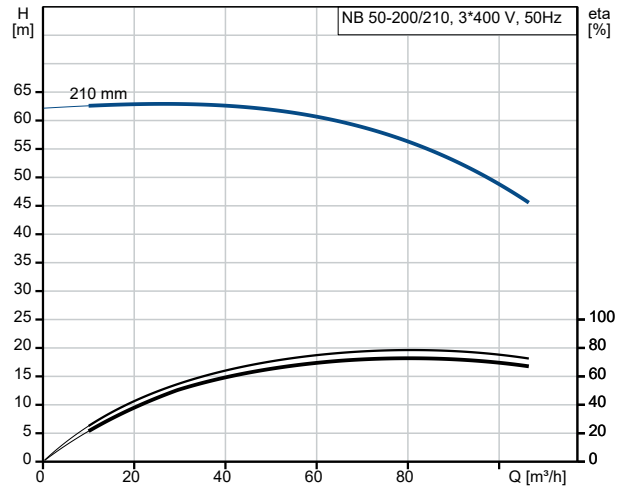
## 98308607 NB 50-200/210 AAF2KESBQQEPW1 50 Hz



Pumped liquid = Water  
 Liquid temperature during operation = 20 °C  
 Density = 998.2 kg/m³



Description	Value
<b>General information:</b>	
Product name:	NB 50-200/210 AAF2KESBQQEPW1
Product No:	98308607
EAN number:	5711492813522
<b>Technical:</b>	
Pump speed on which pump data are based:	2955 rpm
Rated flow:	89.06 m <sup>3</sup> /h
Rated head:	53.16 m
Actual impeller diameter:	210 mm
Nominal impeller diameter:	200
Shaft seal arrangement:	Single
Shaft diameter:	24 mm
Code for shaft seal:	BQQE
Curve tolerance:	ISO9906:2012 3B
Pump version:	A
Bearing design:	Standard
<b>Materials:</b>	
Pump housing:	Stainless steel
Pump housing:	EN 1.4408
Pump housing:	ASTM CF8M
Wear ring:	Stainless steel
Impeller:	Stainless steel
Impeller:	EN 1.4408
Impeller:	ASTM CF8M
Internal pump house coating:	No coating
Material code:	K
Code for rubber:	E
Shaft:	Stainless steel
Shaft:	EN 1.4401
Shaft:	AISI 316
<b>Installation:</b>	
Maximum ambient temperature:	55 °C
Maximum operating pressure:	16 bar
Pipe connection standard:	EN 1092-1
Size of inlet connection:	DN 65
Size of outlet connection:	DN 50
Pressure rating for connection:	PN 16
Bearing lubrication:	Grease
Pump housing with feet:	No
Support block (Yes/No):	N
Connect code:	F2
<b>Liquid:</b>	
Pumped liquid:	Water
Liquid temperature range:	-25 .. 120 °C
Selected liquid temperature:	20 °C
Density:	998.2 kg/m <sup>3</sup>
<b>Electrical data:</b>	
Motor type:	SIEMENS
Rated power - P2:	18.5 kW
Mains frequency:	50 Hz
Rated voltage:	3 x 380-420D/660-725Y V
Rated current:	32/18.6 A
Starting current:	900 %
Cos phi - power factor:	0.90
Rated speed:	2955 rpm
IE efficiency:	IE3 92,4%





Company name:

Created by:

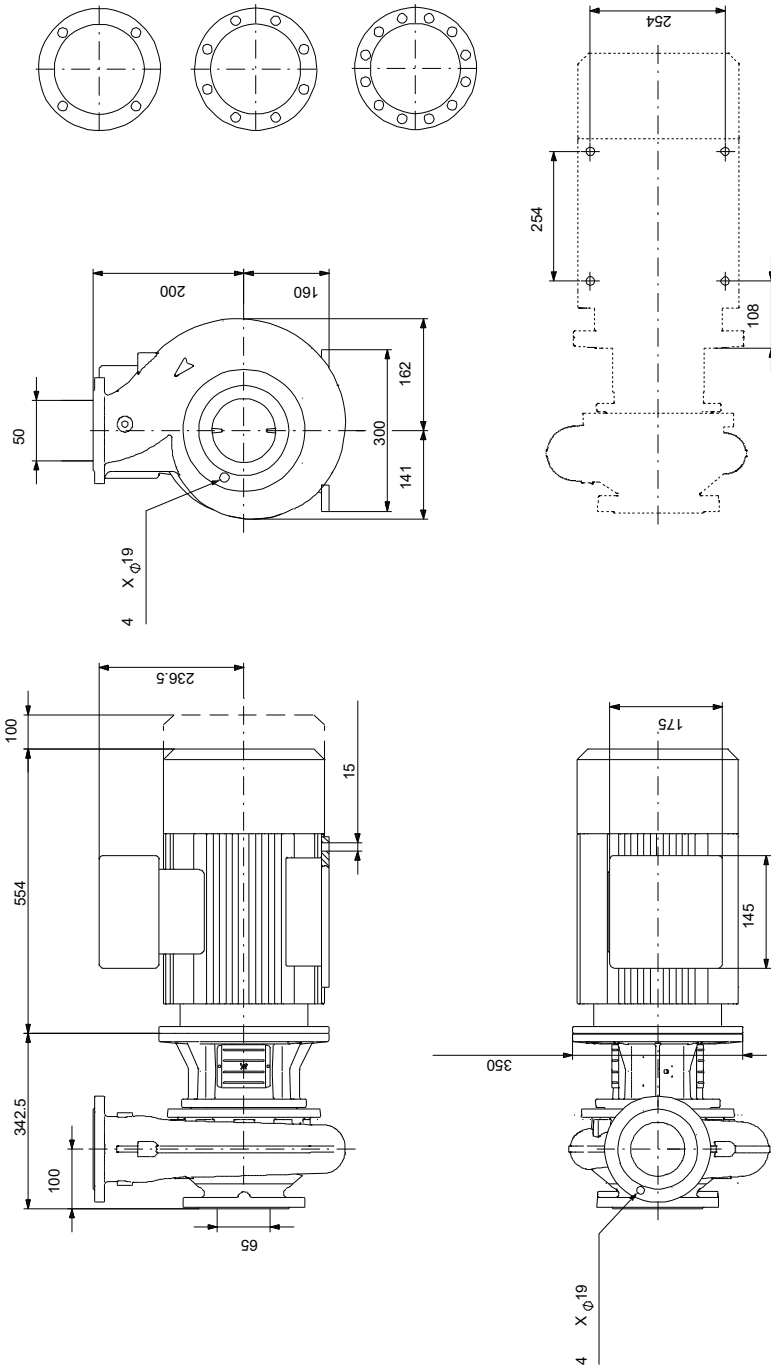
Phone:

Date:

18/07/2024

Description	Value
IE Efficiency class:	IE3
Motor efficiency at full load:	92.4 %
Motor efficiency at 3/4 load:	92.8 %
Motor efficiency at 1/2 load:	92.4 %
Number of poles:	2
Enclosure class (IEC 34-5):	IP55
Insulation class (IEC 85):	F
Built-in motor protection:	PTC
Motor No:	99032132
Mount. design. acc. IEC 34-7:	IM B35
Bearing insulation type N-end:	Steel Bearing
<b>Controls:</b>	
Frequency converter:	None
Pressure sensor:	N
<b>Others:</b>	
Minimum efficiency index, MEI $\geq$ :	0.70
Net weight:	162 kg
Gross weight:	187 kg
Shipping volume:	0.707 m <sup>3</sup>
Language on pump nameplate:	GB

## 98308607 NB 50-200/210 AAF2KESBQQEPW1 50 Hz



Note! All units are in [mm] unless others are stated.  
Disclaimer: This simplified dimensional drawing does not show all details.