

**Qty. Description**

1 CRN 3-10 A-P-A-V-HQBV



Note! Product picture may differ from actual product

Product No.: [97843785](#)

Vertical, multistage centrifugal pump with inlet and outlet ports on same the level (inline). Pump materials in contact with the liquid are in high-grade stainless steel. A cartridge shaft seal ensures high reliability, safe handling, and easy access and service. Power transmission is via a rigid split coupling. Pipe connection is via PJE (Victaulic®) couplings.

The pump is fitted with a 3-phase, fan-cooled asynchronous motor.

Liquid:

Pumped liquid: Water  
 Liquid temperature range: 0 .. 90 °C  
 Selected liquid temperature: 20 °C  
 Density: 998.2 kg/m<sup>3</sup>

Technical:

Pump speed on which pump data are based: 2864 rpm  
 Rated flow: 3 m<sup>3</sup>/h  
 Rated head: 46.4 m  
 Pump orientation: Vertical  
 Shaft seal arrangement: Single  
 Code for shaft seal: HQBV  
 Approvals: CE,EAC,UKCA,SEPRO  
 Approvals for drinking water: WRAS  
 Curve tolerance: ISO9906:2012 3B

Materials:

Base: Stainless steel  
 EN 1.4408  
 AISI 316  
 Impeller: Stainless steel  
 EN 1.4401  
 AISI 316  
 Bearing: SIC

Installation:

Maximum ambient temperature: 60 °C  
 Maximum operating pressure: 25 bar  
 Max pressure at stated temp: 25 bar / 90 °C  
 25 bar / 0 °C

Type of connection: PJE  
 Size of inlet connection: DN 32  
 Size of outlet connection: DN 32  
 Pressure rating for connection: PN 50  
 Flange size for motor: FT100

Electrical data:

Qty.	Description																																																								
1	<table border="0"> <tr> <td>Motor standard:</td> <td>IEC</td> </tr> <tr> <td>Motor type:</td> <td>80A</td> </tr> <tr> <td>Rated power - P2:</td> <td>0.75 kW</td> </tr> <tr> <td>Power (P2) required by pump:</td> <td>0.75 kW</td> </tr> <tr> <td>Mains frequency:</td> <td>50 Hz</td> </tr> <tr> <td>Rated voltage:</td> <td>3 x 220-240D/380-415Y V</td> </tr> <tr> <td>Rated current:</td> <td>3.30/1.90 A</td> </tr> <tr> <td>Starting current:</td> <td>580-620 %</td> </tr> <tr> <td>Cos phi - power factor:</td> <td>0.81-0.71</td> </tr> <tr> <td>Rated speed:</td> <td>2840-2870 rpm</td> </tr> <tr> <td>IE Efficiency class:</td> <td>IE3</td> </tr> <tr> <td>Motor efficiency at full load:</td> <td>80.7 %</td> </tr> <tr> <td>Motor efficiency at 3/4 load:</td> <td>82.7-80.9 %</td> </tr> <tr> <td>Motor efficiency at 1/2 load:</td> <td>81.7-77.9 %</td> </tr> <tr> <td>Number of poles:</td> <td>2</td> </tr> <tr> <td>Enclosure class (IEC 34-5):</td> <td>55 Dust/Jetting</td> </tr> <tr> <td>Insulation class (IEC 85):</td> <td>F</td> </tr> <tr> <td>Motor No:</td> <td>85U05104</td> </tr> <tr> <td colspan="2"> </td> </tr> <tr> <td colspan="2">Controls:</td> </tr> <tr> <td>Frequency converter:</td> <td>None</td> </tr> <tr> <td colspan="2"> </td> </tr> <tr> <td colspan="2">Others:</td> </tr> <tr> <td>Terminal box position:</td> <td>6</td> </tr> <tr> <td>Minimum efficiency index, MEI ≥:</td> <td>0.70</td> </tr> <tr> <td>Net weight:</td> <td>22.4 kg</td> </tr> <tr> <td>Gross weight:</td> <td>25.3 kg</td> </tr> <tr> <td>Shipping volume:</td> <td>0.074 m<sup>3</sup></td> </tr> </table>	Motor standard:	IEC	Motor type:	80A	Rated power - P2:	0.75 kW	Power (P2) required by pump:	0.75 kW	Mains frequency:	50 Hz	Rated voltage:	3 x 220-240D/380-415Y V	Rated current:	3.30/1.90 A	Starting current:	580-620 %	Cos phi - power factor:	0.81-0.71	Rated speed:	2840-2870 rpm	IE Efficiency class:	IE3	Motor efficiency at full load:	80.7 %	Motor efficiency at 3/4 load:	82.7-80.9 %	Motor efficiency at 1/2 load:	81.7-77.9 %	Number of poles:	2	Enclosure class (IEC 34-5):	55 Dust/Jetting	Insulation class (IEC 85):	F	Motor No:	85U05104	 		Controls:		Frequency converter:	None	 		Others:		Terminal box position:	6	Minimum efficiency index, MEI ≥:	0.70	Net weight:	22.4 kg	Gross weight:	25.3 kg	Shipping volume:	0.074 m <sup>3</sup>
Motor standard:	IEC																																																								
Motor type:	80A																																																								
Rated power - P2:	0.75 kW																																																								
Power (P2) required by pump:	0.75 kW																																																								
Mains frequency:	50 Hz																																																								
Rated voltage:	3 x 220-240D/380-415Y V																																																								
Rated current:	3.30/1.90 A																																																								
Starting current:	580-620 %																																																								
Cos phi - power factor:	0.81-0.71																																																								
Rated speed:	2840-2870 rpm																																																								
IE Efficiency class:	IE3																																																								
Motor efficiency at full load:	80.7 %																																																								
Motor efficiency at 3/4 load:	82.7-80.9 %																																																								
Motor efficiency at 1/2 load:	81.7-77.9 %																																																								
Number of poles:	2																																																								
Enclosure class (IEC 34-5):	55 Dust/Jetting																																																								
Insulation class (IEC 85):	F																																																								
Motor No:	85U05104																																																								
Controls:																																																									
Frequency converter:	None																																																								
Others:																																																									
Terminal box position:	6																																																								
Minimum efficiency index, MEI ≥:	0.70																																																								
Net weight:	22.4 kg																																																								
Gross weight:	25.3 kg																																																								
Shipping volume:	0.074 m <sup>3</sup>																																																								



Company name:

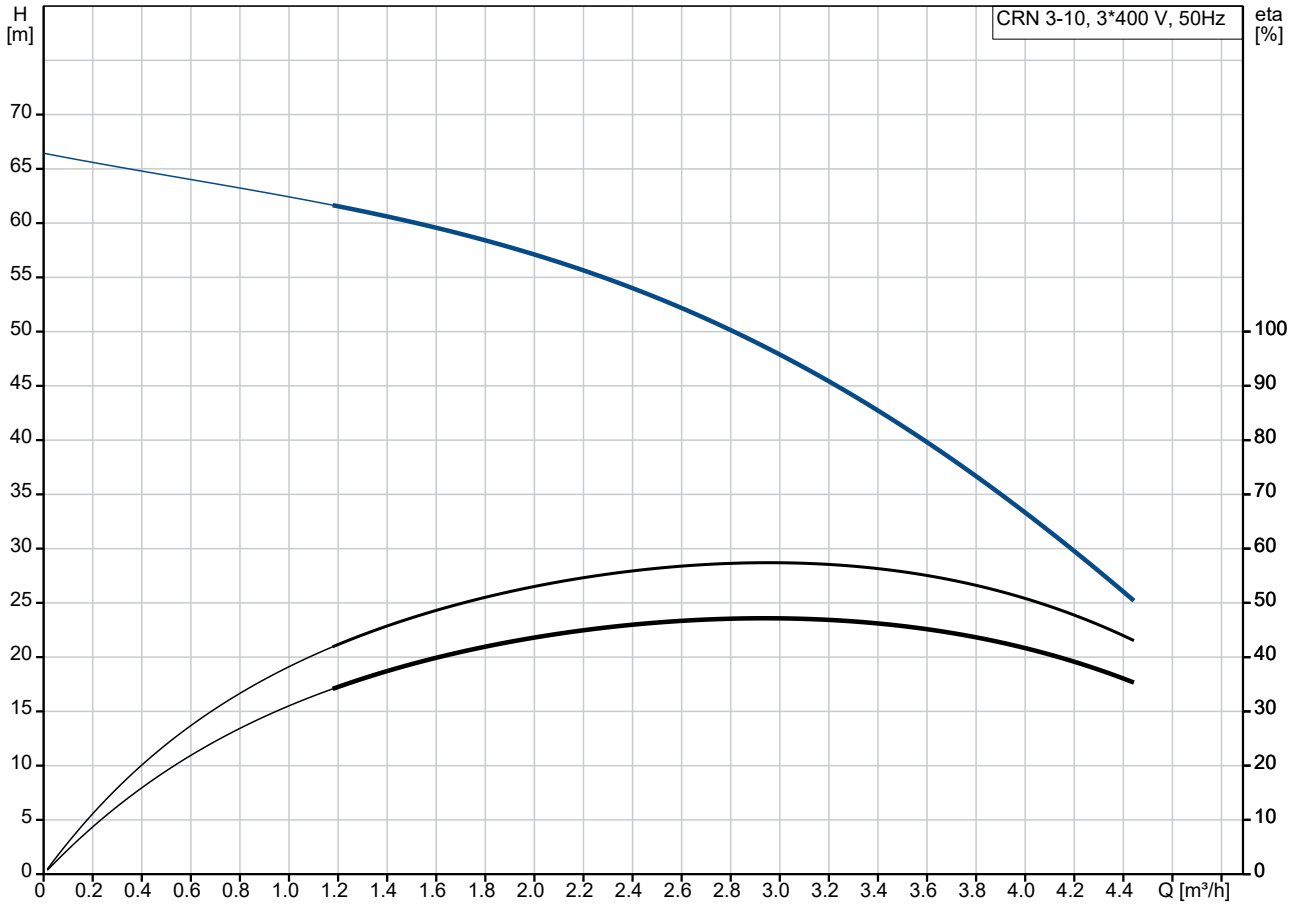
Created by:

Phone:

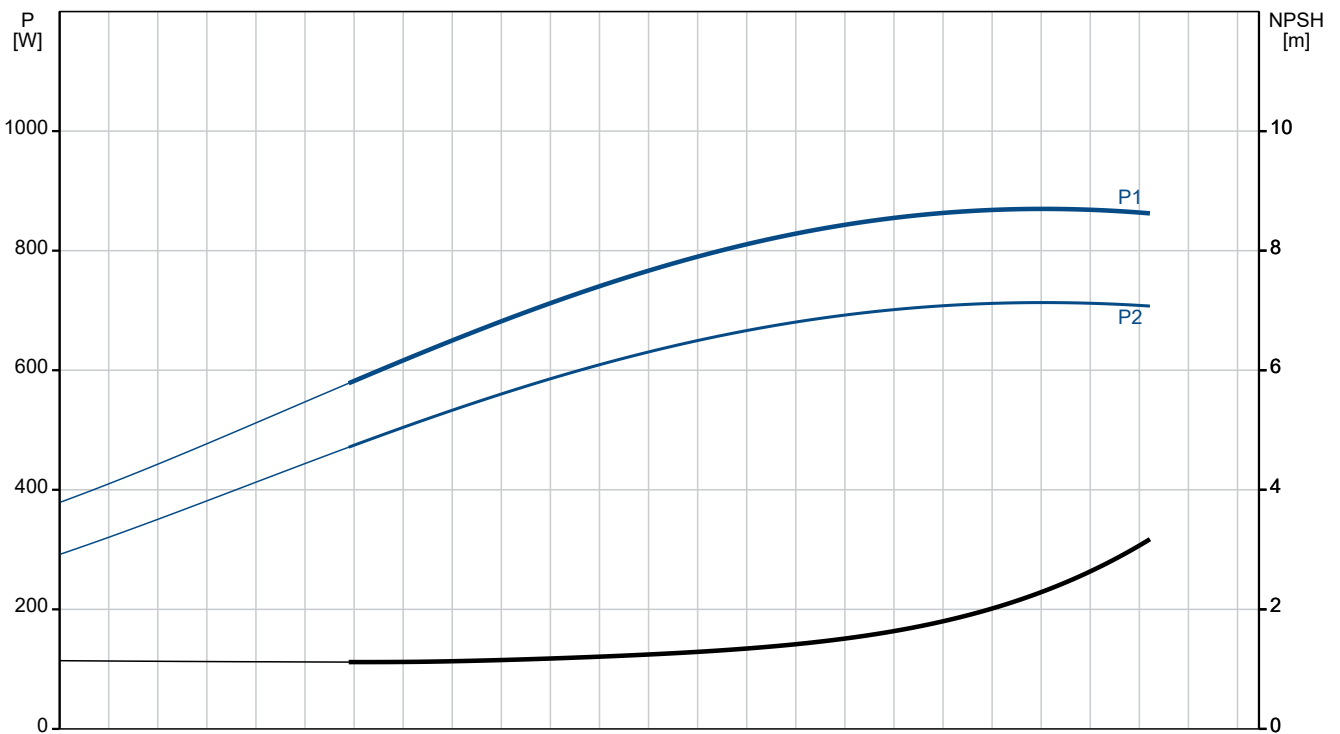
Date:

13/07/2024

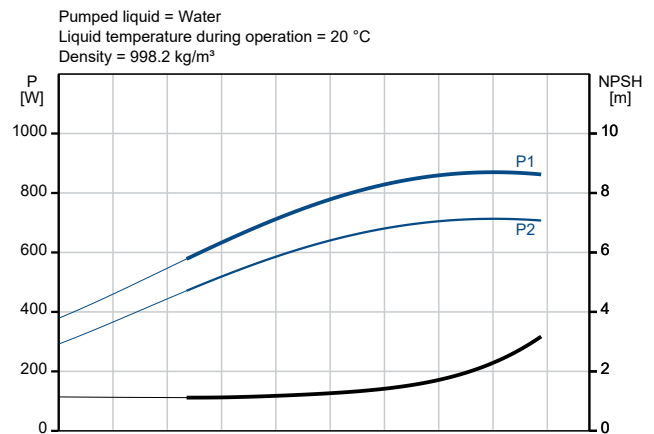
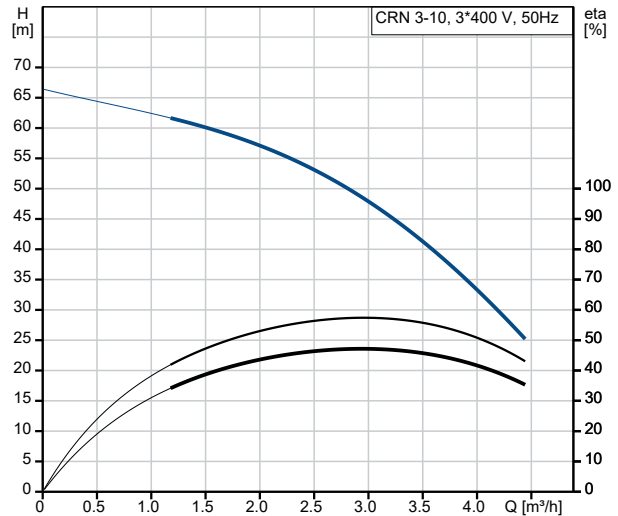
### 97843785 CRN 3-10 A-P-A-V-HQBV 50 Hz



Pumped liquid = Water  
Liquid temperature during operation = 20 °C  
Density = 998.2 kg/m³



Description	Value
<b>General information:</b>	
Product name:	CRN 3-10 A-P-A-V-HQBV
Product No:	97843785
EAN number:	5710625658306
<b>Technical:</b>	
Pump speed on which pump data are based:	2864 rpm
Rated flow:	3 m <sup>3</sup> /h
Rated head:	46.4 m
Maximum head:	65.6 m
Stages:	10
Impellers:	10
Number of reduced-diameter impellers:	0
Low NPSH:	N
Pump orientation:	Vertical
Shaft seal arrangement:	Single
Code for shaft seal:	HQBV
Approvals:	CE,EAC,UKCA,SEPRO
Approvals for drinking water:	WRAS
Curve tolerance:	ISO9906:2012 3B
Pump version:	A
Model:	A
<b>Materials:</b>	
Base:	Stainless steel
Base:	EN 1.4408
Base:	AISI 316
Impeller:	Stainless steel
Impeller:	EN 1.4401
Impeller:	AISI 316
Material code:	A
Code for rubber:	V
Bearing:	SIC
<b>Installation:</b>	
Maximum ambient temperature:	60 °C
Maximum operating pressure:	25 bar
Max pressure at stated temp:	25 bar / 90 °C
Max pressure at stated temp:	25 bar / 0 °C
Type of connection:	PJE
Size of inlet connection:	DN 32
Size of outlet connection:	DN 32
Pressure rating for connection:	PN 50
Flange size for motor:	FT100
Connect code:	P
<b>Liquid:</b>	
Pumped liquid:	Water
Liquid temperature range:	0 .. 90 °C
Selected liquid temperature:	20 °C
Density:	998.2 kg/m <sup>3</sup>
<b>Electrical data:</b>	
Motor standard:	IEC
Motor type:	80A
Rated power - P2:	0.75 kW
Power (P2) required by pump:	0.75 kW
Mains frequency:	50 Hz
Rated voltage:	3 x 220-240D/380-415Y V
Rated current:	3.30/1.90 A





Company name:

Created by:

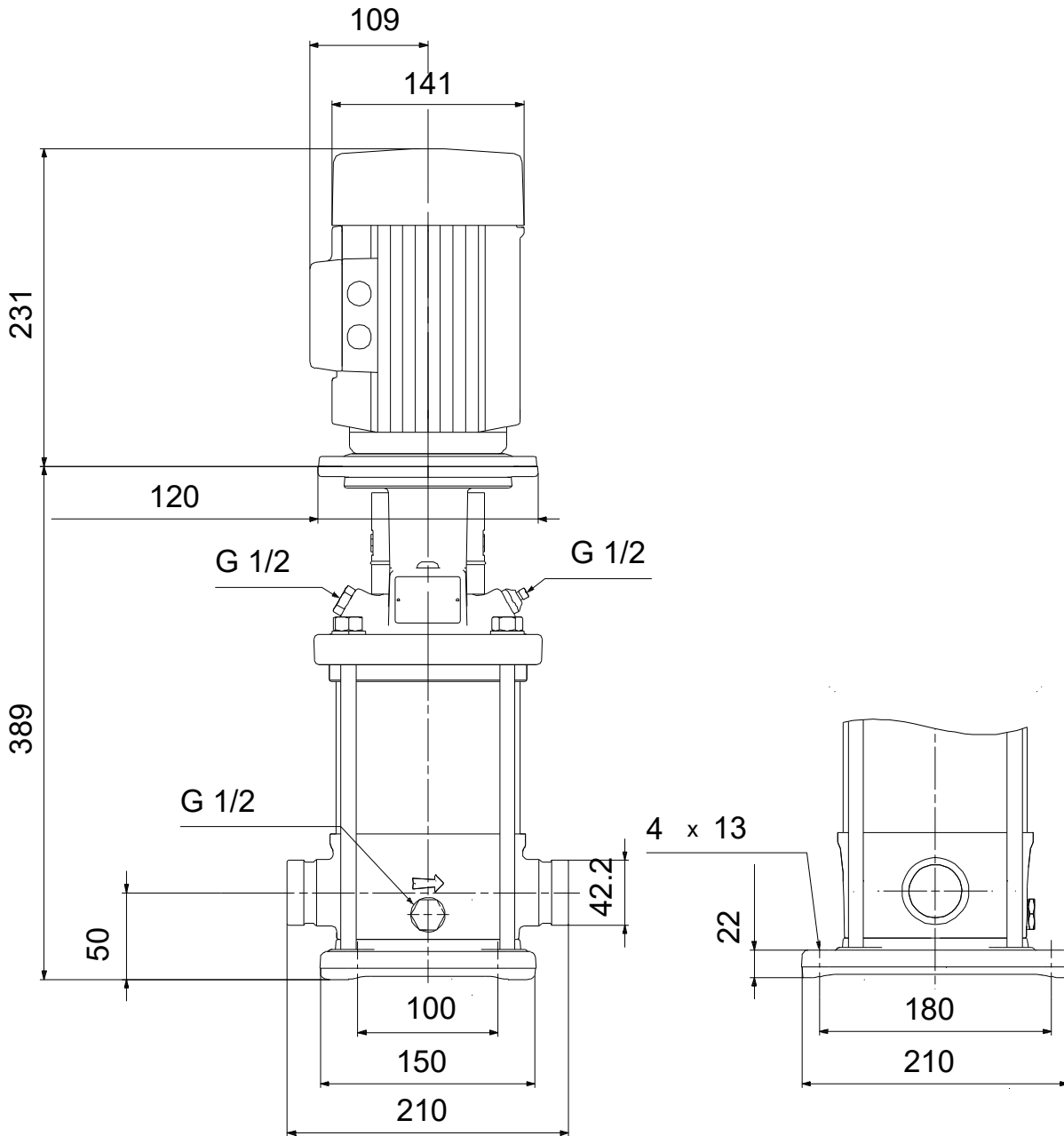
Phone:

Date:

13/07/2024

Description	Value
Starting current:	580-620 %
Cos phi - power factor:	0.81-0.71
Rated speed:	2840-2870 rpm
IE Efficiency class:	IE3
Motor efficiency at full load:	80.7 %
Motor efficiency at 3/4 load:	82.7-80.9 %
Motor efficiency at 1/2 load:	81.7-77.9 %
Number of poles:	2
Enclosure class (IEC 34-5):	55 Dust/Jetting
Insulation class (IEC 85):	F
Built-in motor protection:	NONE
Motor No:	85U05104
<b>Controls:</b>	
Frequency converter:	None
<b>Others:</b>	
Terminal box position:	6
Minimum efficiency index, MEI ≥:	0.70
Net weight:	22.4 kg
Gross weight:	25.3 kg
Shipping volume:	0.074 m <sup>3</sup>
Sales region:	United Arab Emirates

## 97843785 CRN 3-10 A-P-A-V-HQBV 50 Hz



Note! All units are in [mm] unless others are stated.  
Disclaimer: This simplified dimensional drawing does not show all details.