

Qty. Description

1 CM 3-6 A-R-A-V-AVBV F-A-A-N



Note! Product picture may differ from actual product

Product No.: [97516528](#)

Compact, reliable, horizontal, multistage, end-suction centrifugal pump with axial suction port and radial discharge port. The shaft, impellers and chambers are made of stainless steel. The inlet and discharge parts are made of cast iron. The mechanical shaft seal is a special designed, unbalanced O-ring seal. Pipework connection is via internal Whitworth pipe threads, Rp (ISO 7/1).

The pump is fitted with a 3-phase, foot-mounted, fan-cooled asynchronous motor.

Controls:

Frequency converter: None

Liquid:

Pumped liquid: Water
 Liquid temperature range: -20 .. 90 °C
 Selected liquid temperature: 20 °C
 Density: 998.2 kg/m³

Technical:

Pump speed on which pump data are based: 2900 rpm
 Rated flow: 3.1 m³/h
 Rated head: 41.81 m
 Code for shaft seal: AVBV
 Approvals: CE,EAC,UKCA
 Approvals for drinking water: ACS,NSF61
 Curve tolerance: ISO9906:2012 3B

Materials:

Pump housing: Cast iron
 EN-GJL-200
 ASTM A48-25A
 Impeller: Stainless steel
 EN 1.4301
 AISI 304

Installation:

Range of ambient temperature: -20 .. 55 °C
 Maximum operating pressure: 10 bar
 Max pressure at stated temp: 10 bar / 40 °C
 6 bar / 90 °C

Type of connection: Rp
 Size of inlet connection: 1 inch
 Size of outlet connection: 1 inch
 Outlet position: 12

Electrical data:

Motor standard: IEC



Company name:

Created by:

Phone:

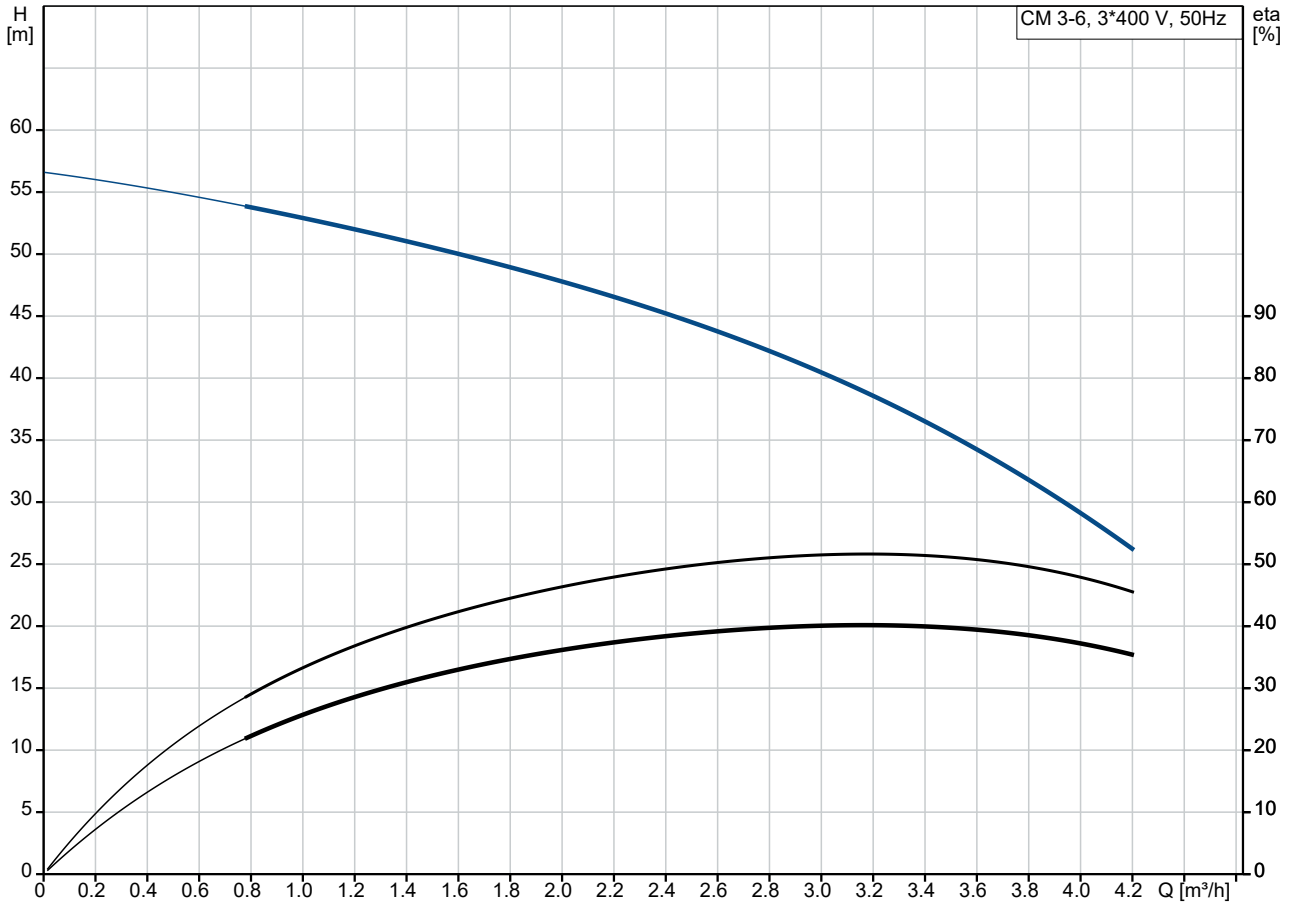
Date:

25/06/2024

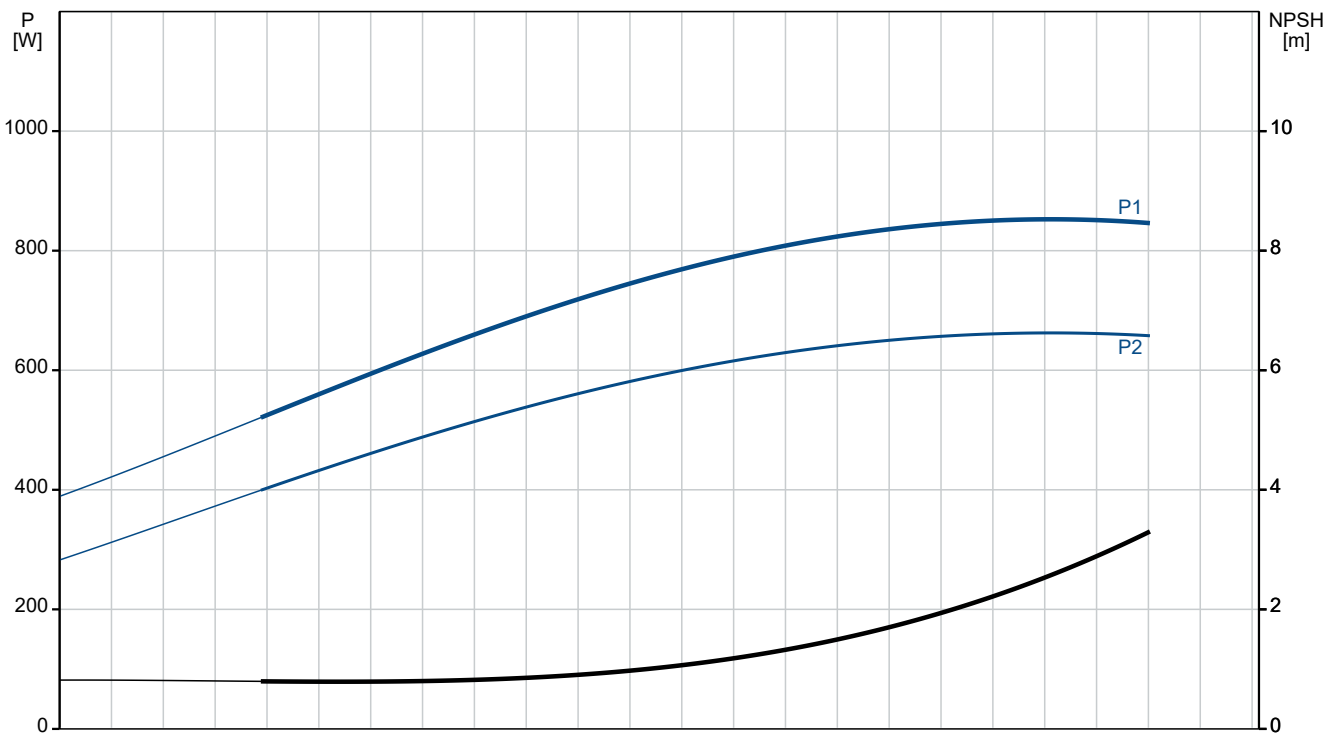
Qty. Description

1	Frame size:	71B
	IE efficiency class:	IE2
	Rated power - P2:	0.65 kW
	Mains frequency:	50 Hz
	Suitable for 50/60 Hz:	N
	Rated voltage:	3 x 220-240D/380-415Y V
	Service factor:	1.00
	Rated current:	2,75-2,93/1,59-1,69 A
	Starting current:	510 %
	Rated speed:	2820-2850 rpm
	Enclosure class (IEC 34-5):	IP55
	Insulation class (IEC 85):	F
	Built-in motor protection:	NONE
	Cable included (Yes/No):	N
	Others:	
	Terminal box position:	12
	Minimum efficiency index, MEI \geq :	0.7
	Net weight:	12.8 kg
	Gross weight:	15.3 kg

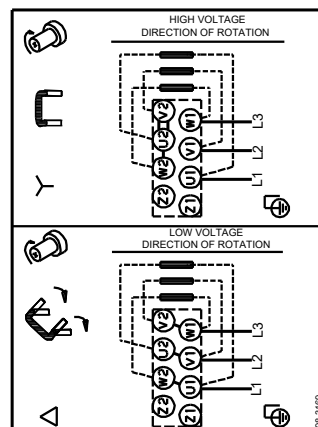
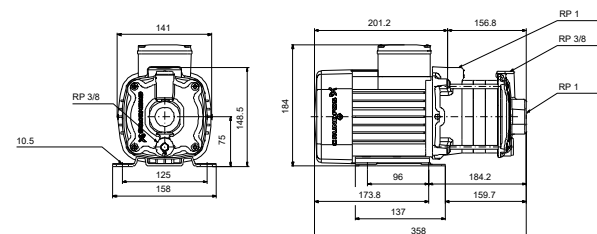
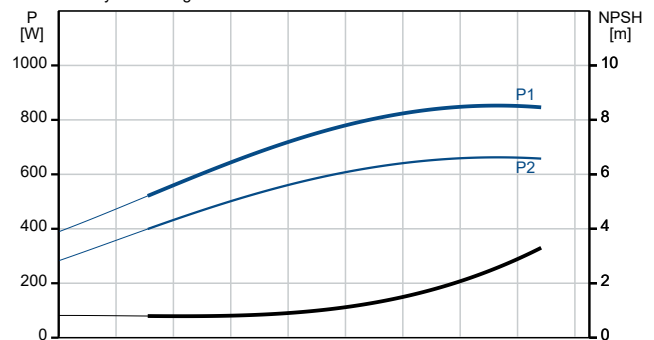
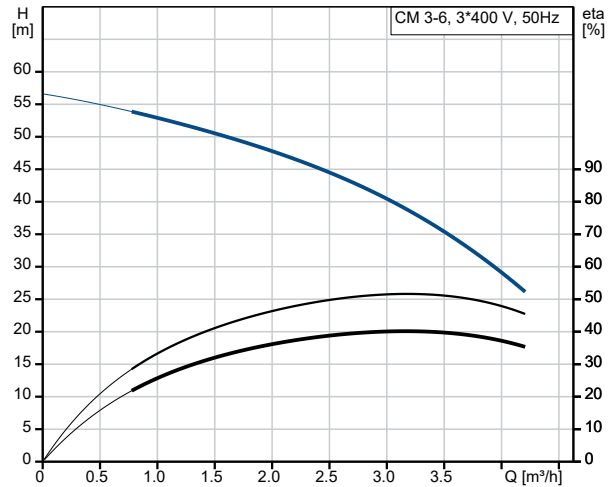
97516528 CM 3-6 A-R-A-V-AVBV F-A-A-N 50 Hz



Pumped liquid = Water
 Liquid temperature during operation = 20 °C
 Density = 998.2 kg/m³



Description	Value
General information:	
Product name:	CM 3-6 A-R-A-V-AVBV F-A-A-N
Product No:	97516528
EAN number:	5700317301290
Technical:	
Pump speed on which pump data are based:	2900 rpm
Rated flow:	3.1 m ³ /h
Rated head:	41.81 m
Impellers:	6
Code for shaft seal:	AVBV
Approvals:	CE,EAC,UKCA
Approvals for drinking water:	ACS,NSF61
Curve tolerance:	ISO9906:2012 3B
Pump version:	A
Model:	A
Materials:	
Pump housing:	Cast iron
Pump housing:	EN-GJL-200
Pump housing:	ASTM A48-25A
Impeller:	Stainless steel
Impeller:	EN 1.4301
Impeller:	AISI 304
Material code:	A
Code for rubber:	V
Installation:	
Range of ambient temperature:	-20 .. 55 °C
Maximum operating pressure:	10 bar
Max pressure at stated temp:	10 bar / 40 °C
Max pressure at stated temp:	6 bar / 90 °C
Type of connection:	Rp
Size of inlet connection:	1 inch
Size of outlet connection:	1 inch
Outlet position:	12
Connect code:	R
Liquid:	
Pumped liquid:	Water
Liquid temperature range:	-20 .. 90 °C
Selected liquid temperature:	20 °C
Density:	998.2 kg/m ³
Electrical data:	
Motor standard:	IEC
Frame size:	71B
IE efficiency class:	IE2
Rated power - P2:	0.65 kW
Mains frequency:	50 Hz
Suitable for 50/60 Hz:	N
Rated voltage:	3 x 220-240D/380-415V V
Service factor:	1.00
Rated current:	2,75-2,93/1,59-1,69 A
Starting current:	510 %
Rated speed:	2820-2850 rpm
Enclosure class (IEC 34-5):	IP55
Insulation class (IEC 85):	F
Built-in motor protection:	NONE
Cable included (Yes/No):	N
Controls:	





Company name:

Created by:

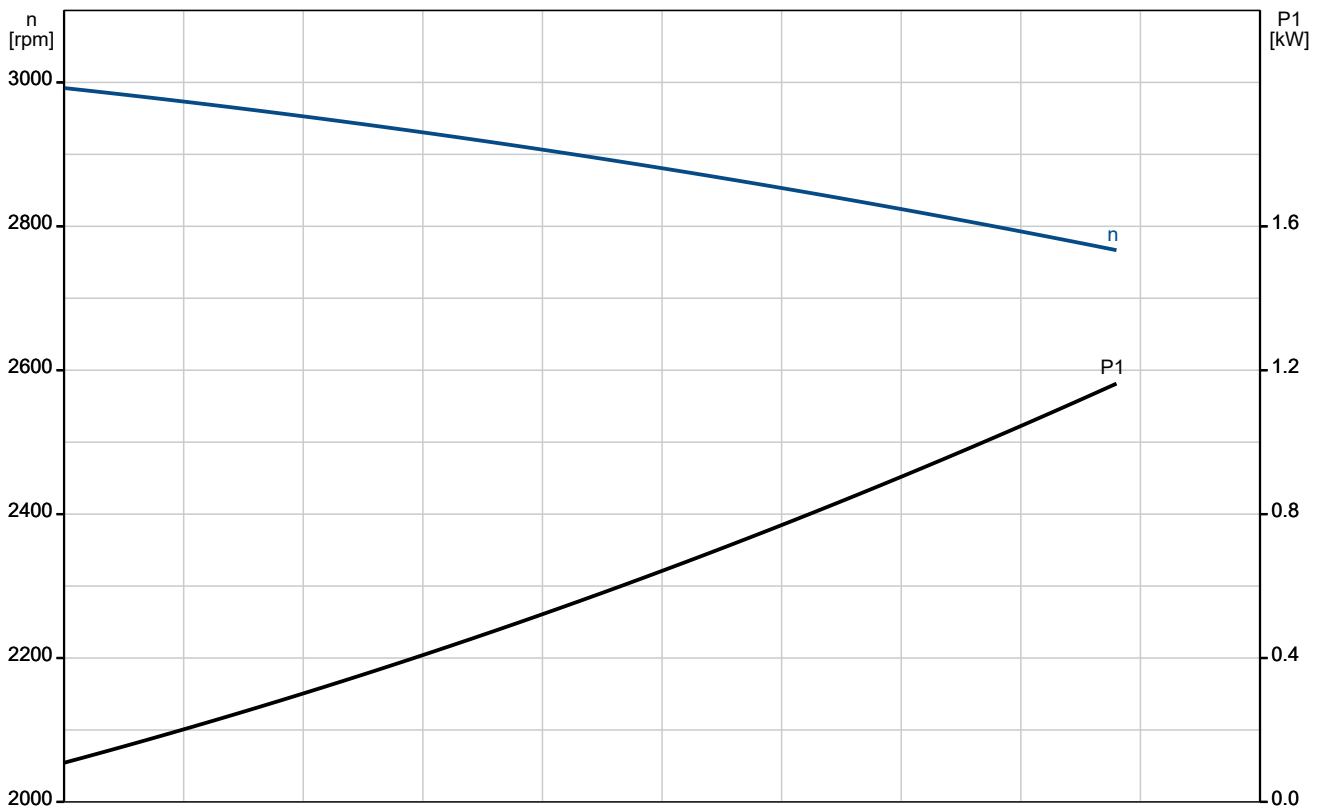
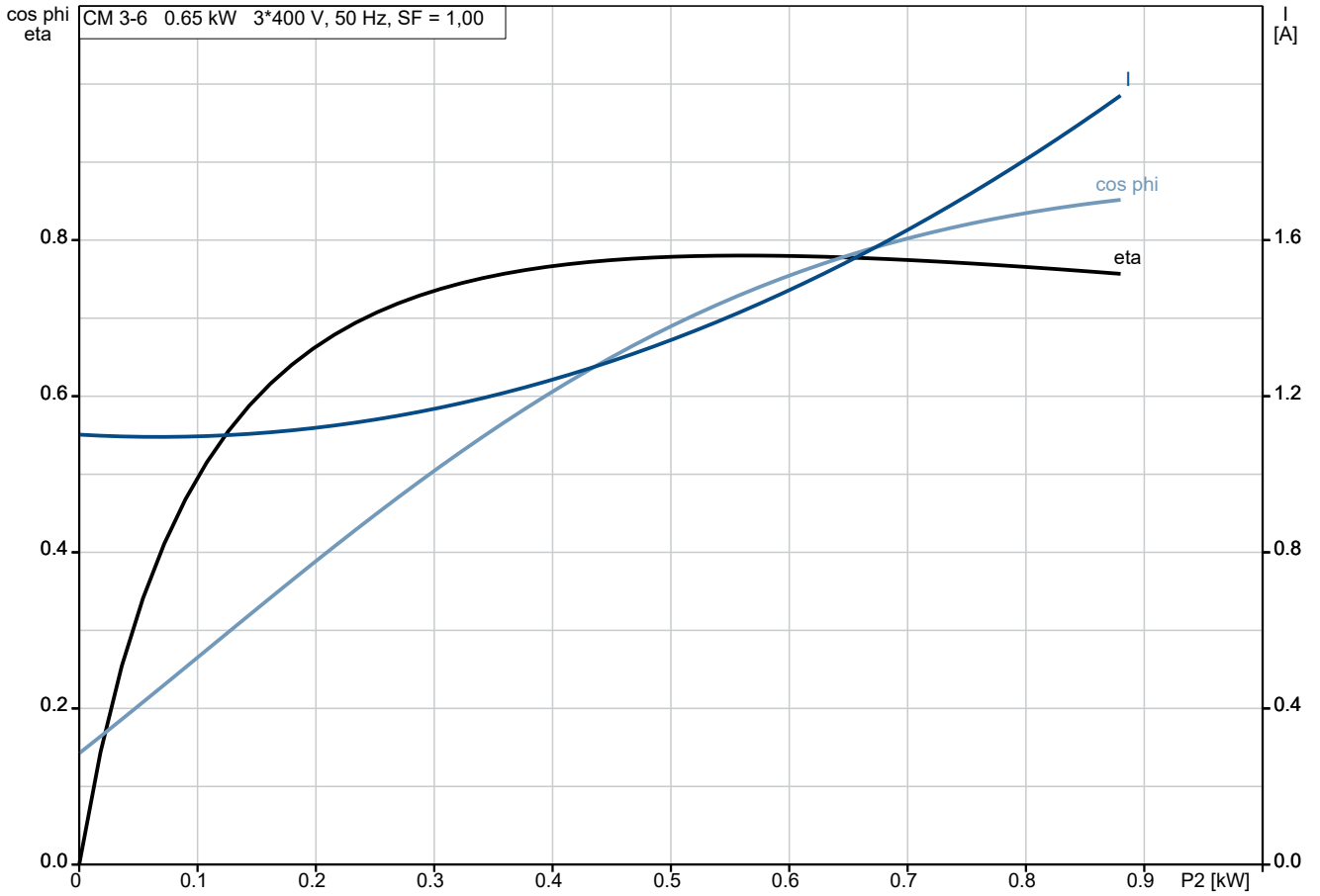
Phone:

Date:

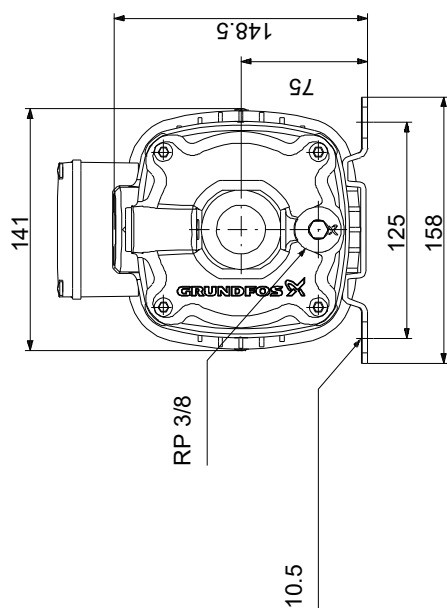
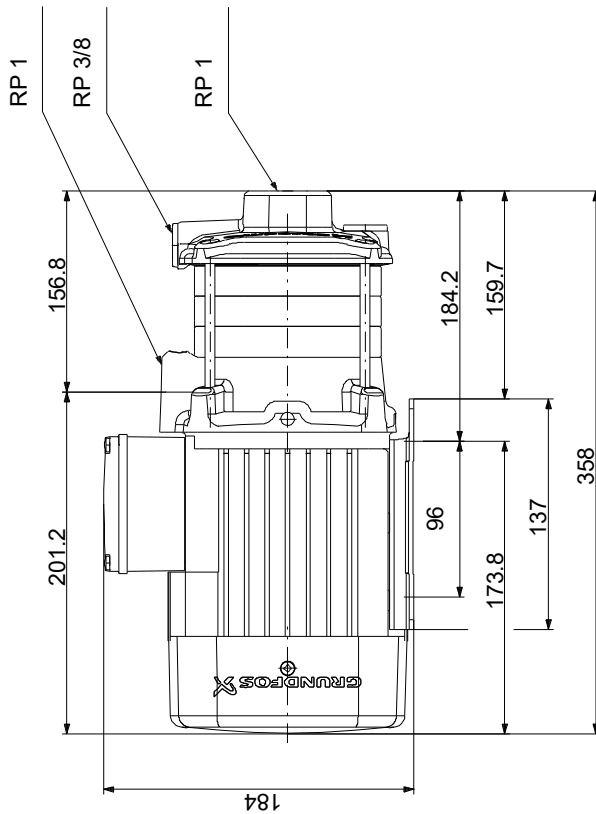
25/06/2024

Description	Value
Frequency converter:	None
Others:	
Terminal box position:	12
Minimum efficiency index, MEI ≥:	0.7
Net weight:	12.8 kg
Gross weight:	15.3 kg

97516528 CM 3-6 A-R-A-V-AVBV F-A-A-N 50 Hz



97516528 CM 3-6 A-R-A-V-AVBV F-A-A-N 50 Hz



Note! All units are in [mm] unless others are stated.
Disclaimer: This simplified dimensional drawing does not show all details.