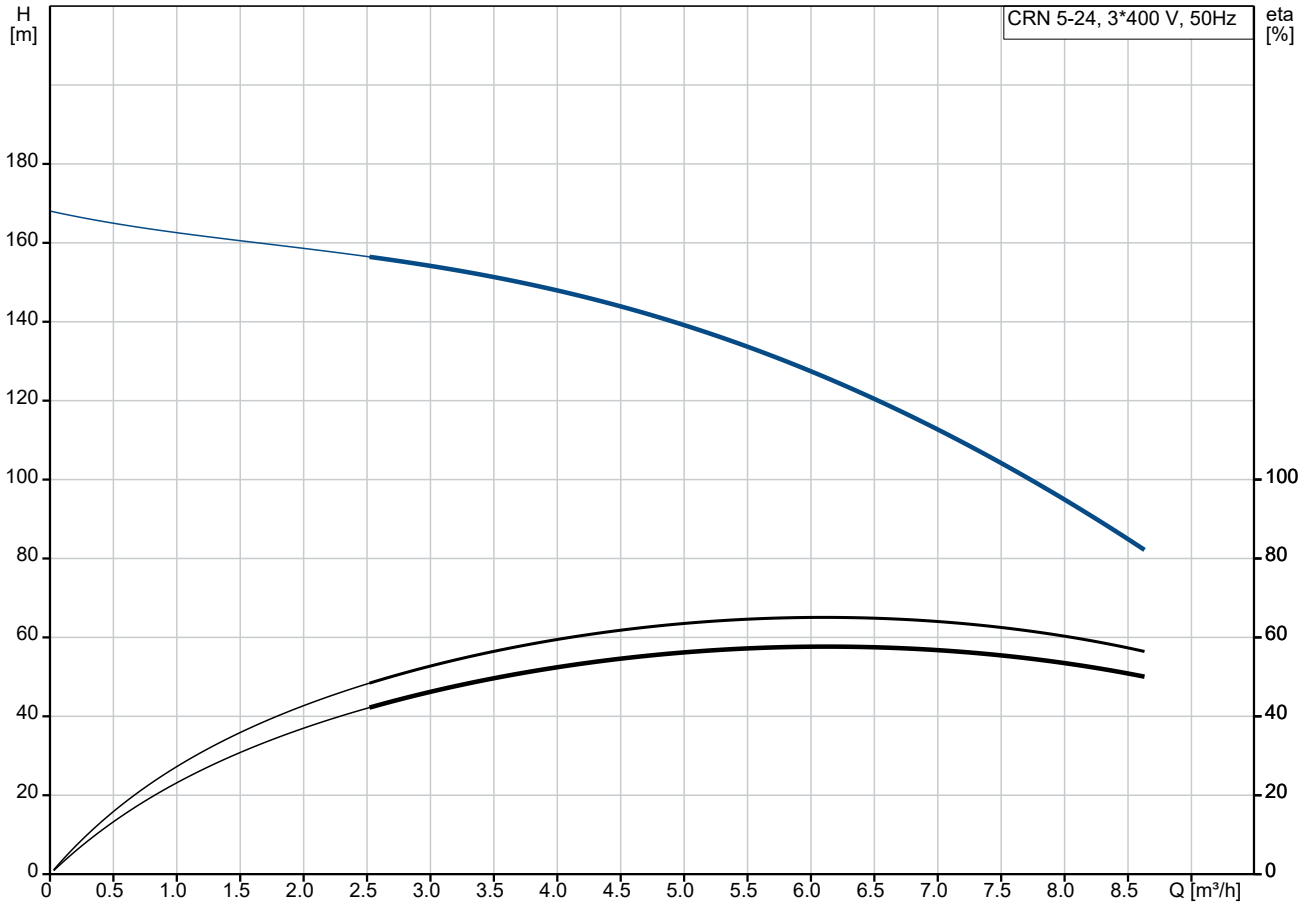
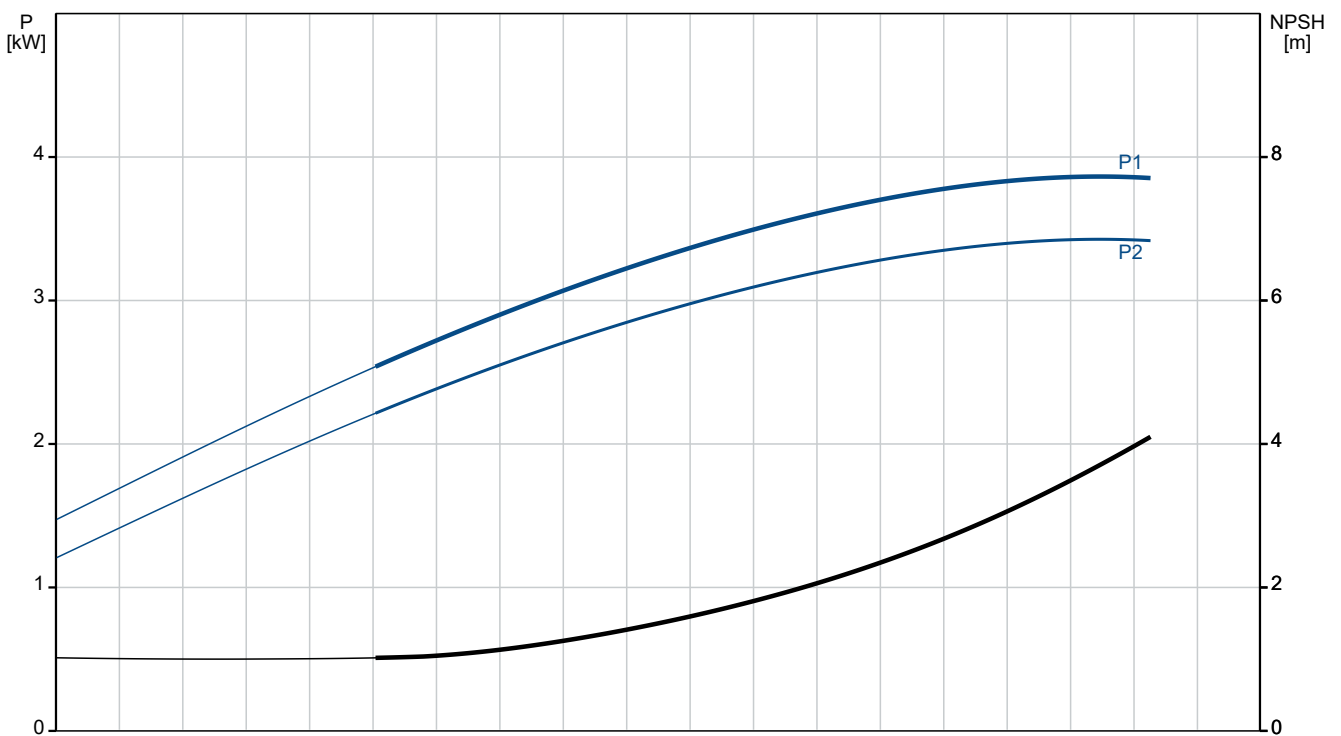


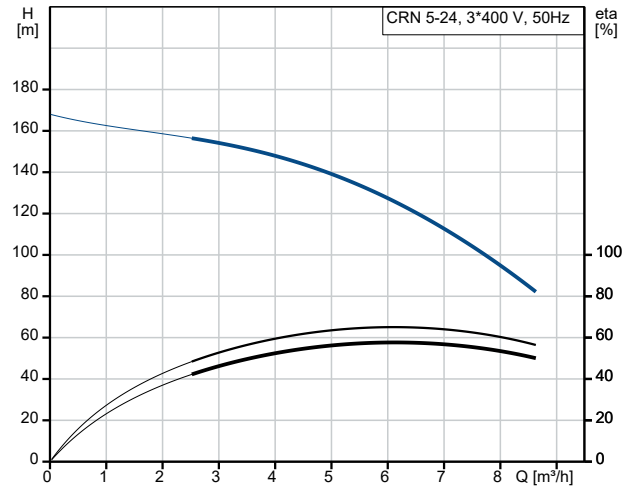
## 96513491 CRN 5-24 A-P-A-E-HQQE 50 Hz



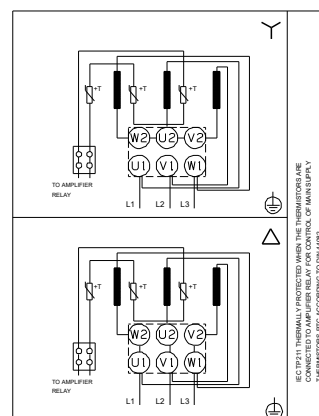
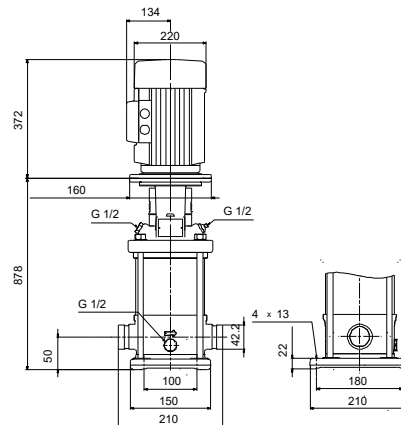
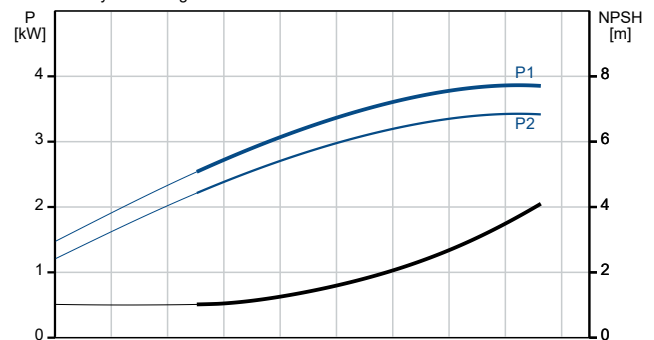
Pumped liquid = Water  
 Liquid temperature during operation = 20 °C  
 Density = 998.2 kg/m³



Description	Value
<b>General information:</b>	
Product name:	CRN 5-24 A-P-A-E-HQQE
Product No:	96513491
EAN number:	5700396645438
<b>Technical:</b>	
Pump speed on which pump data are based:	2917 rpm
Rated flow:	5.8 m <sup>3</sup> /h
Rated head:	125.5 m
Maximum head:	163.9 m
Stages:	24
Impellers:	24
Number of reduced-diameter impellers:	0
Low NPSH:	N
Pump orientation:	Vertical
Shaft seal arrangement:	Single
Code for shaft seal:	HQQE
Approvals:	CE,EAC,UKCA,SEPRO
Approvals for drinking water:	WRAS,ACS
Curve tolerance:	ISO9906:2012 3B
Pump version:	A
Model:	A
<b>Materials:</b>	
Base:	Stainless steel
Base:	EN 1.4408
Base:	AISI 316
Impeller:	Stainless steel
Impeller:	EN 1.4401
Impeller:	AISI 316
Material code:	A
Code for rubber:	E
Bearing:	SIC
<b>Installation:</b>	
Maximum ambient temperature:	60 °C
Maximum operating pressure:	25 bar
Max pressure at stated temp:	25 bar / 120 °C
Max pressure at stated temp:	25 bar / -20 °C
Type of connection:	PJE
Size of inlet connection:	DN 32
Size of outlet connection:	DN 32
Pressure rating for connection:	PN 50
Flange size for motor:	FT130
Connect code:	P
<b>Liquid:</b>	
Pumped liquid:	Water
Liquid temperature range:	-20 .. 120 °C
Selected liquid temperature:	20 °C
Density:	998.2 kg/m <sup>3</sup>
<b>Electrical data:</b>	
Motor standard:	IEC
Motor type:	112MC
Rated power - P2:	4 kW
Power (P2) required by pump:	4 kW
Mains frequency:	50 Hz
Rated voltage:	3 x 380-415D V
Rated current:	7.9 A
Starting current:	1000-1110 %



Pumped liquid = Water  
Liquid temperature during operation = 20 °C  
Density = 998.2 kg/m<sup>3</sup>



IEC 60742 THERMAL PROTECTED MOTOR THE THERMAL PROTECTION IS CONNECTED TO AMPLIFIER RELAY FOR CONTROL OF MAIN SUPPLY THERMAL PROTECTION ACCORDING TO DIN 4422



Company name:

Created by:

Phone:

Date:

18/07/2024

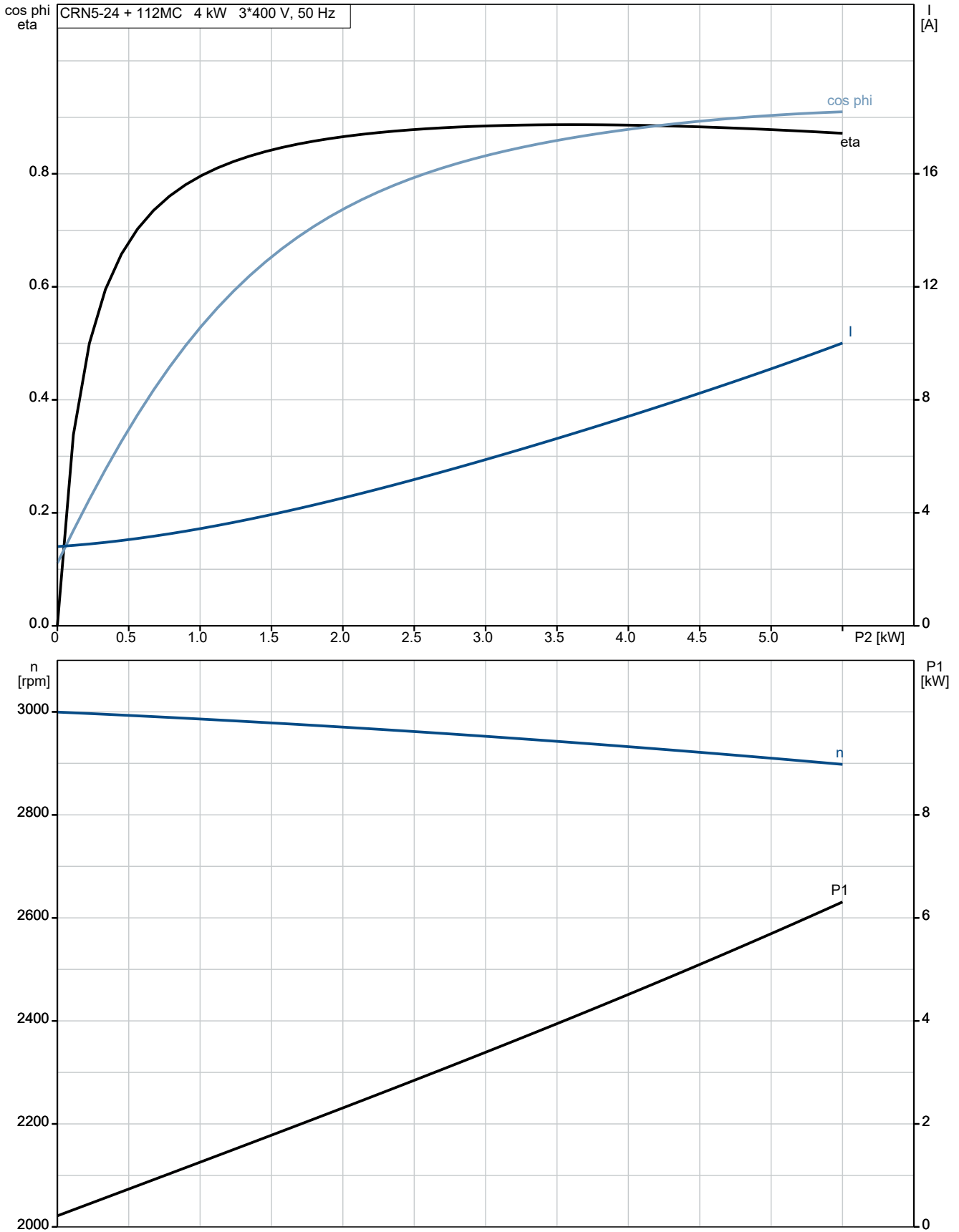
Description	Value
Cos phi - power factor:	0.87
Rated speed:	2920-2940 rpm
IE Efficiency class:	IE3
Motor efficiency at full load:	88.1 %
Motor efficiency at 3/4 load:	88.6-88.2 %
Motor efficiency at 1/2 load:	85.2-88.1 %
Number of poles:	2
Enclosure class (IEC 34-5):	55 Dust/Jetting
Insulation class (IEC 85):	F
Built-in motor protection:	PTC
Motor No:	85U15413
<b>Controls:</b>	
Frequency converter:	None
<b>Others:</b>	
Terminal box position:	6
Minimum efficiency index, MEI $\geq$ :	0.57
Net weight:	61 kg
Gross weight:	65.7 kg
Shipping volume:	0.148 m <sup>3</sup>
Danish VVS No.:	385912024



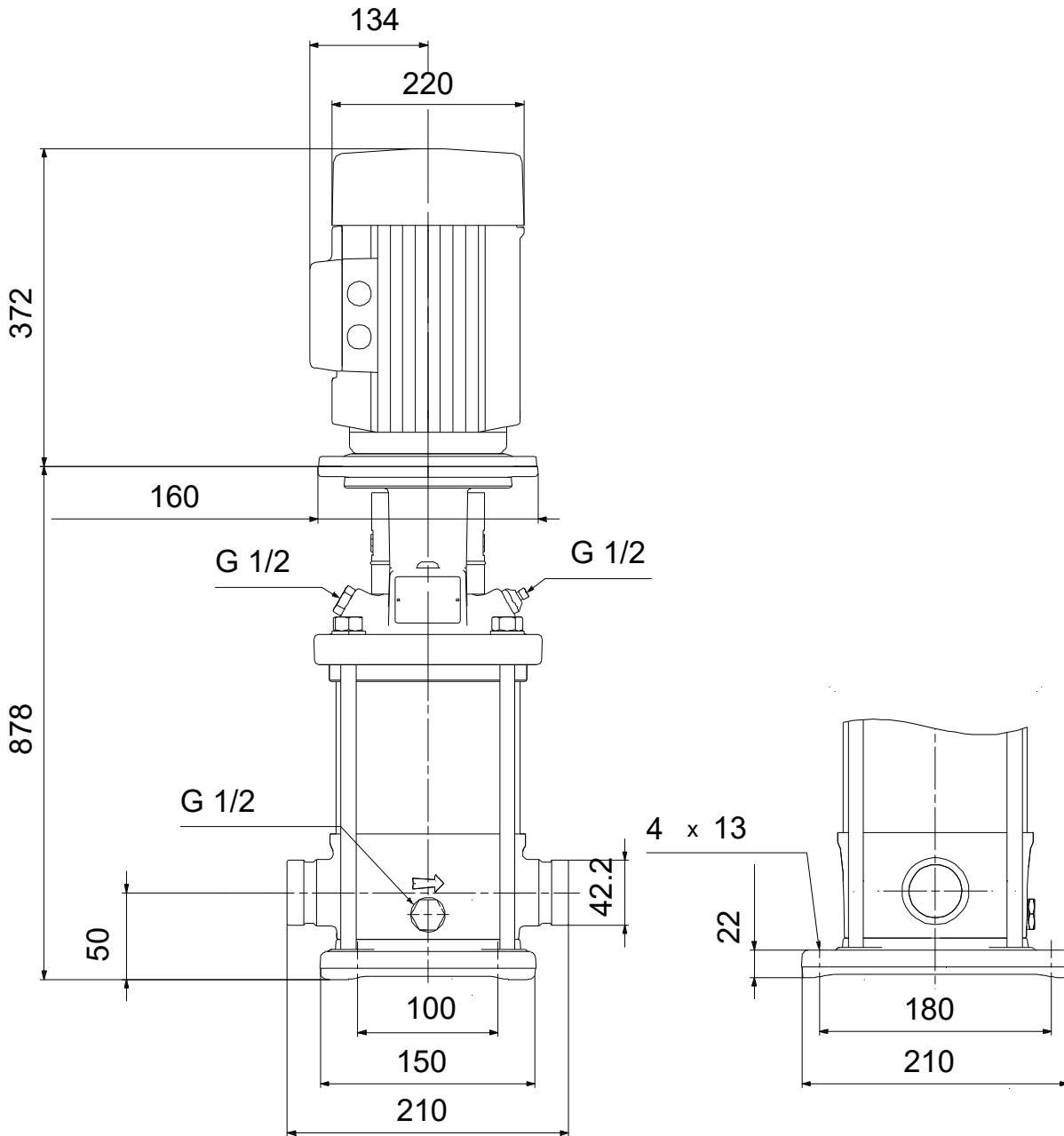
Company name:  
Created by:  
Phone:

Date: 18/07/2024

### 96513491 CRN 5-24 A-P-A-E-HQQE 50 Hz



## 96513491 CRN 5-24 A-P-A-E-HQQE 50 Hz



Note! All units are in [mm] unless others are stated.

Disclaimer: This simplified dimensional drawing does not show all details.