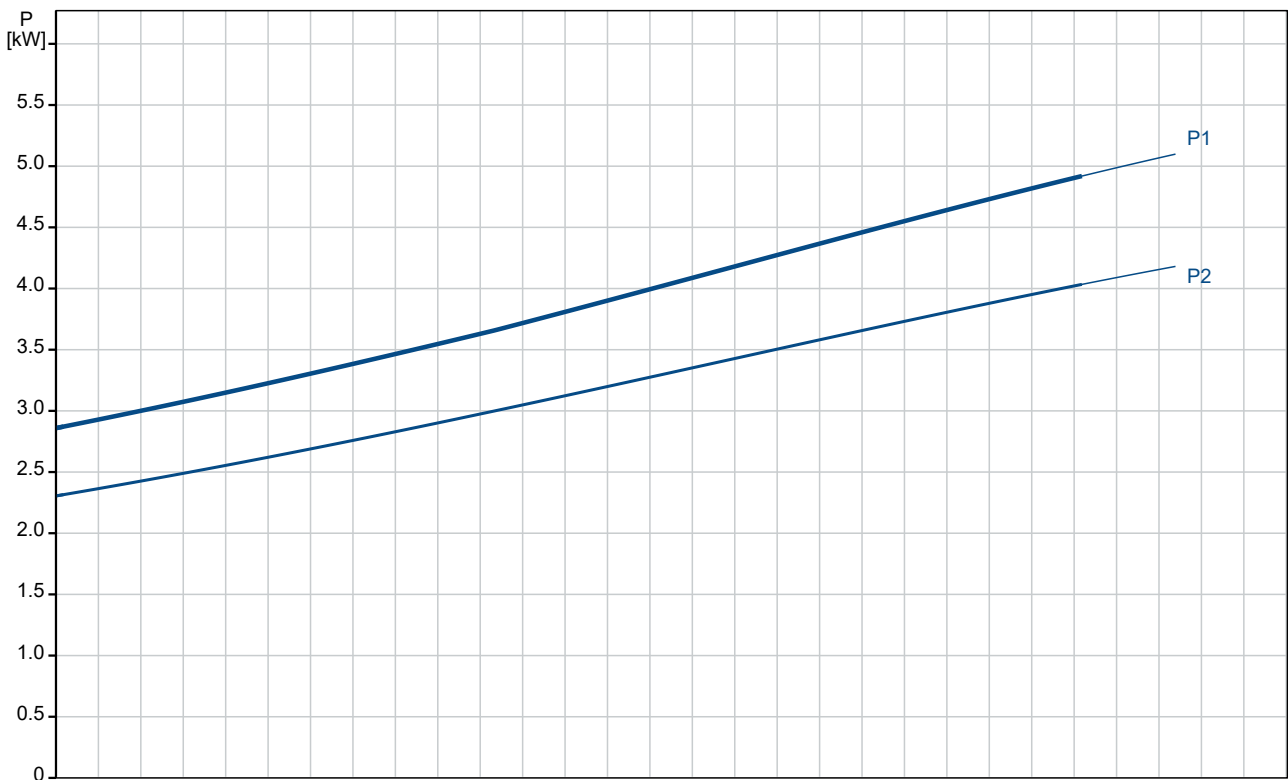
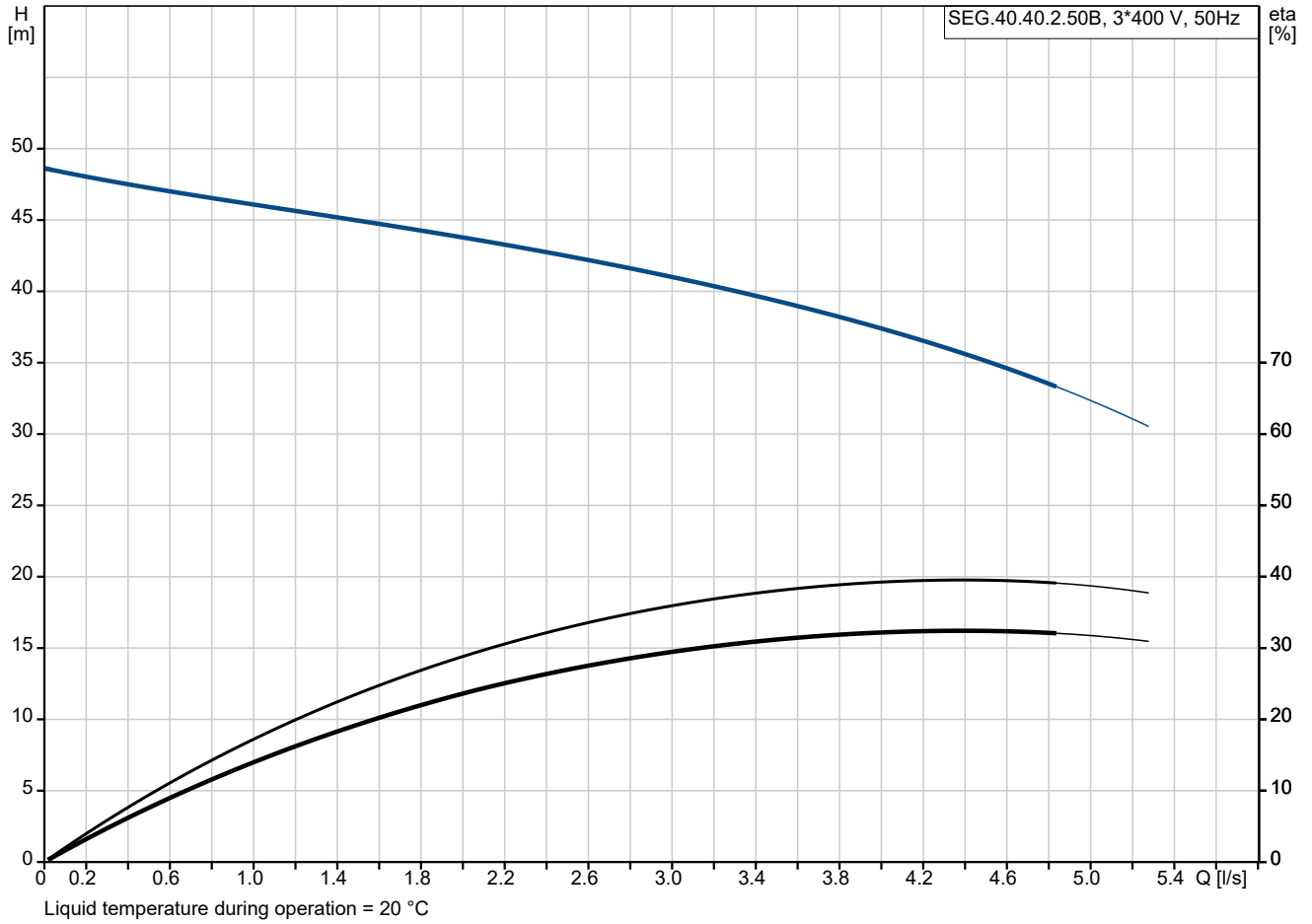
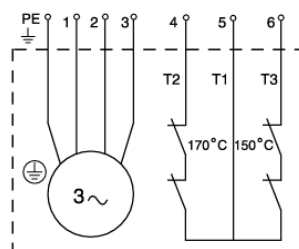
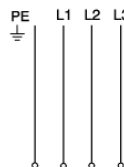
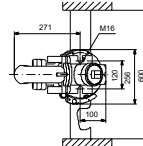
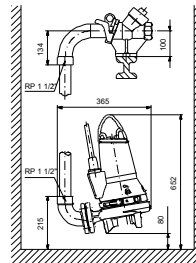
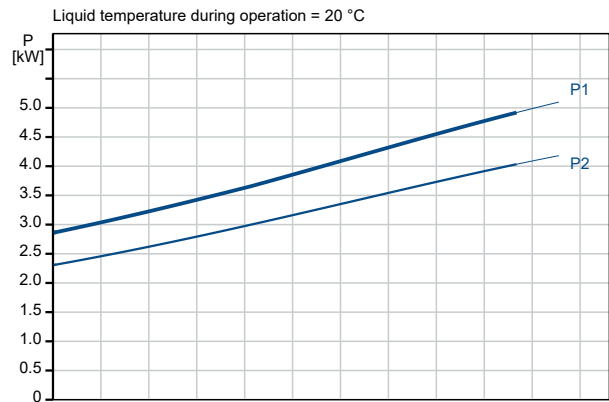
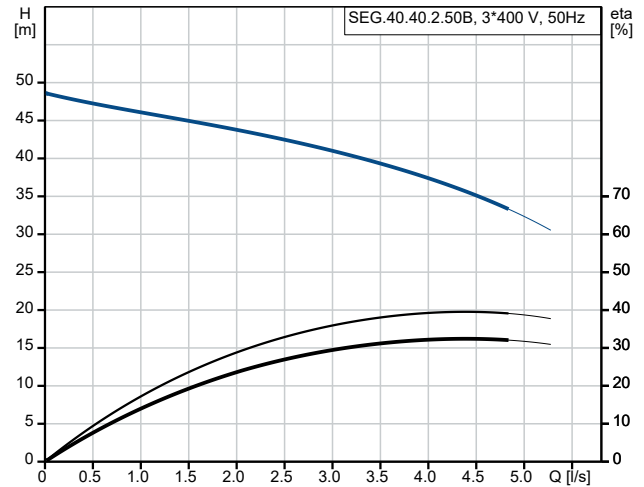


96075917 SEG.40.40.2.50B 50 Hz



Description	Value
General information:	
Product name:	SEG.40.40.2.50B
Product No:	96075917
EAN number:	5700394851008
Technical:	
Max flow:	4.72 l/s
Head max:	45.7 m
Type of impeller:	GRINDER SYSTEM
Primary shaft seal:	SIC/SIC
Approvals:	PA-I
Curve tolerance:	ISO9906:2012 3B2
Materials:	
Pump housing:	Cast iron
Pump housing:	EN1561 EN-GJL-200
Impeller:	Cast iron
Impeller:	EN1561 EN-GJL-200
Installation:	
Maximum ambient temperature:	40 °C
Maximum operating pressure:	6 bar
Flange standard:	DIN
Pipework connection:	DN 40/50
Pump outlet:	DN 40
Pressure rating:	PN 10
Maximum installation depth:	7 m
Inst dry/wet:	SUBMERGED
Auto-coupling:	96076063
Liquid:	
Liquid temperature range:	0 .. 40 °C
Selected liquid temperature:	20 °C
Density:	998.2 kg/m ³
Electrical data:	
Power input - P1:	4.9 kW
Rated power - P2:	4 kW
Mains frequency:	50 Hz
Rated voltage:	3 x 400-415 V
Voltage tolerance:	+6/-10 %
Max starts per hour:	30
Rated current:	8 A
Starting current:	43 A
Rated current at no load:	3.5 A
Cos phi - power factor:	0.92
Cos phi - p.f. at 3/4 load:	0.89
Cos phi - p.f. at 1/2 load:	0.81
Rated speed:	2830 rpm
Moment of inertia:	0.011 kg m ²
Motor efficiency at full load:	82 %
Motor efficiency at 3/4 load:	82 %
Motor efficiency at 1/2 load:	80 %
Number of poles:	2
Start. method:	DOL
Enclosure class (IEC 34-5):	IP68
Insulation class (IEC 85):	F
Explosion proof:	no
Built-in motor protection:	THERMAL SWITCH
Thermal protec:	EXT.
Length of cable:	10 m
Cable type:	07RN8-F
Type of cable plug:	No plug





Company name:

Created by:

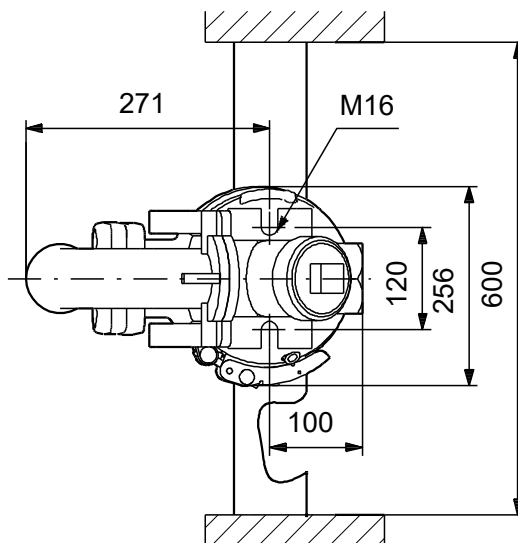
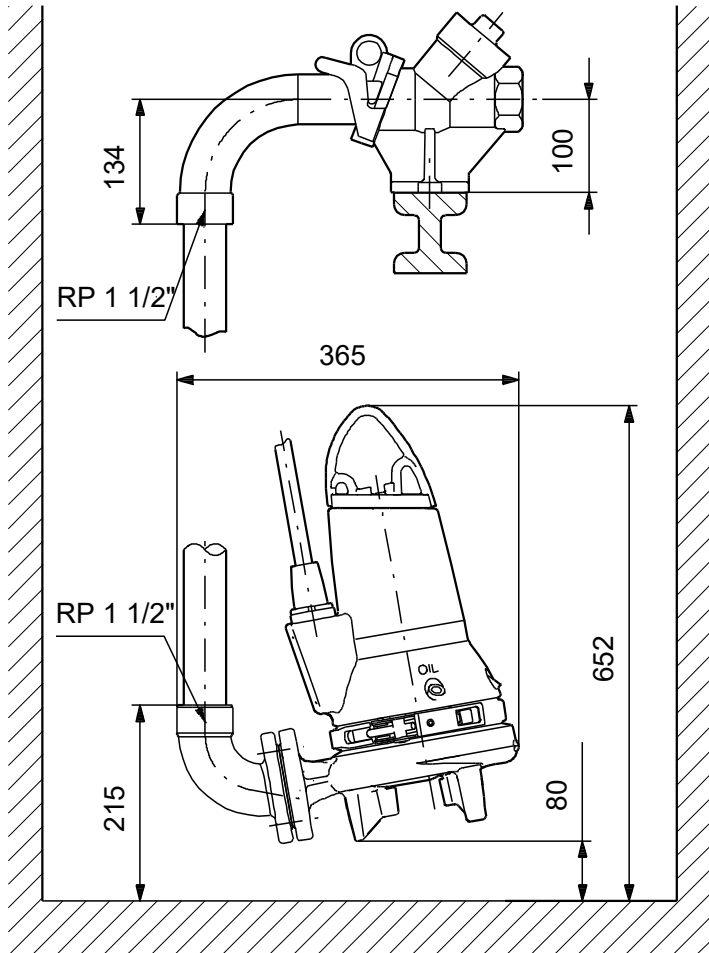
Phone:

Date:

15/07/2024

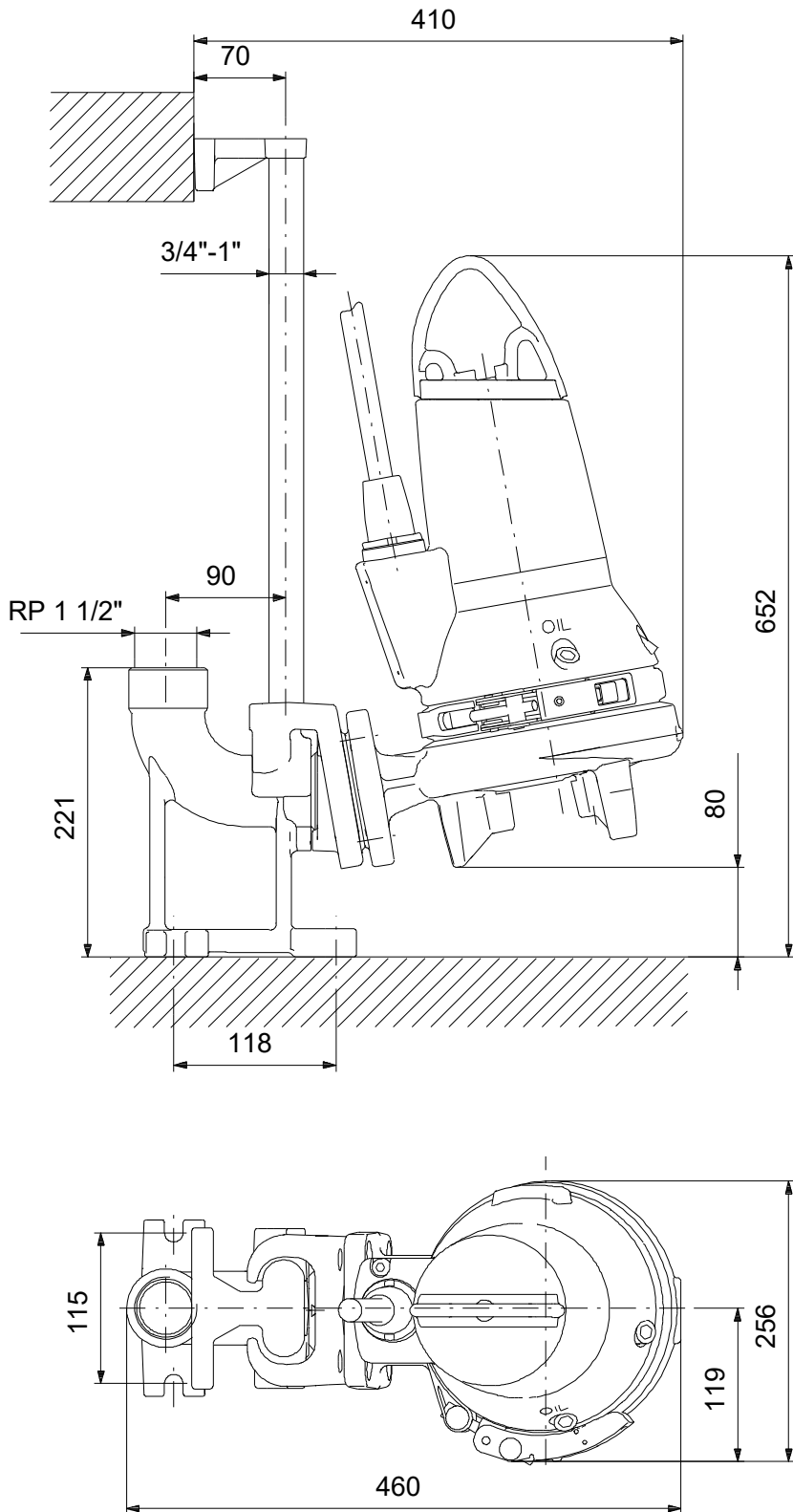
Description	Value
Controls:	
Control box:	N
Additional I/O:	External
Moisture sensor:	N
AUTOADAPT:	No
Others:	
Net weight:	70.8 kg
Danish VVS No.:	391342191
Swedish RSK No.:	5885833
Finnish LVI No.:	4836107
Norwegian NRF no.:	9045741

96075917 SEG.40.40.2.50B 50 Hz



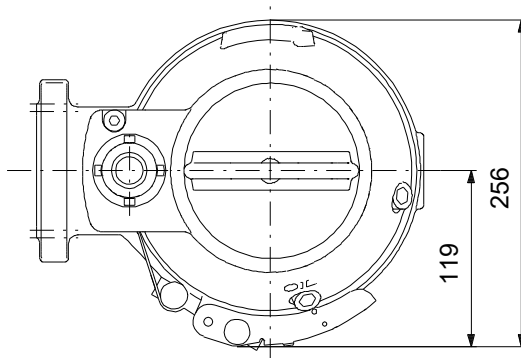
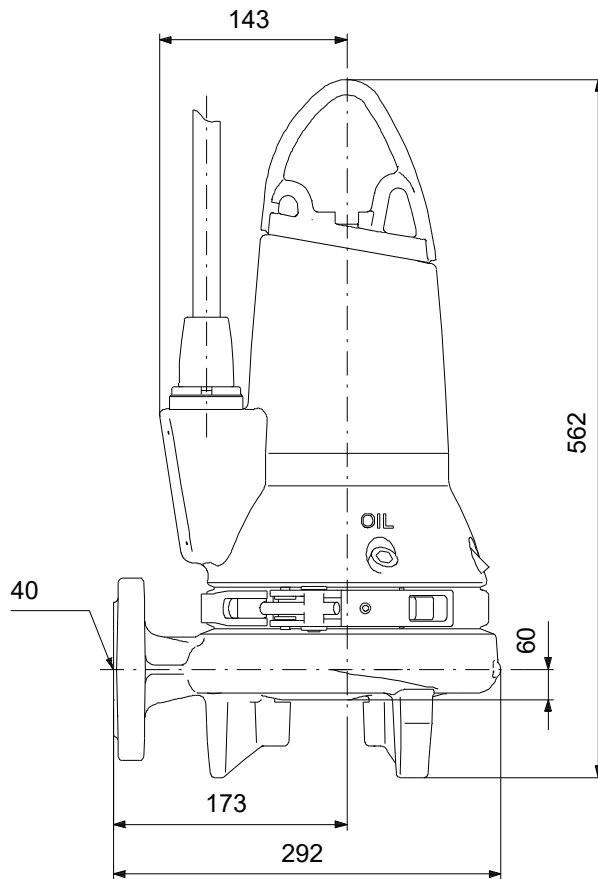
Note! All units are in [mm] unless others are stated.
Disclaimer: This simplified dimensional drawing does not show all details.

96075917 SEG.40.40.2.50B 50 Hz



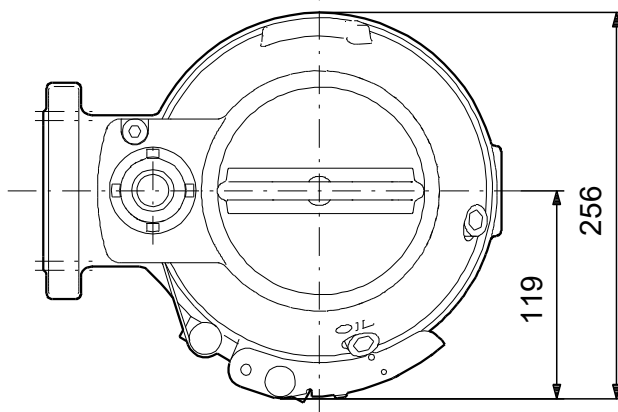
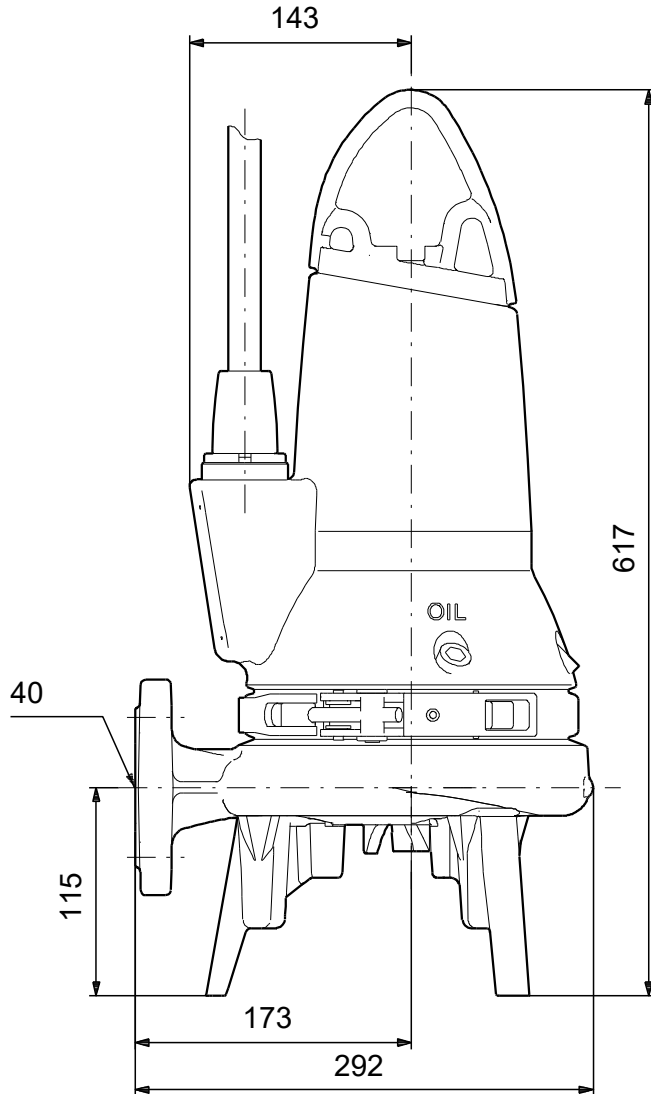
Note! All units are in [mm] unless others are stated.
Disclaimer: This simplified dimensional drawing does not show all details.

96075917 SEG.40.40.2.50B 50 Hz



Note! All units are in [mm] unless others are stated.
Disclaimer: This simplified dimensional drawing does not show all details.

96075917 SEG.40.40.2.50B 50 Hz



Note! All units are in [mm] unless others are stated.
Disclaimer: This simplified dimensional drawing does not show all details.