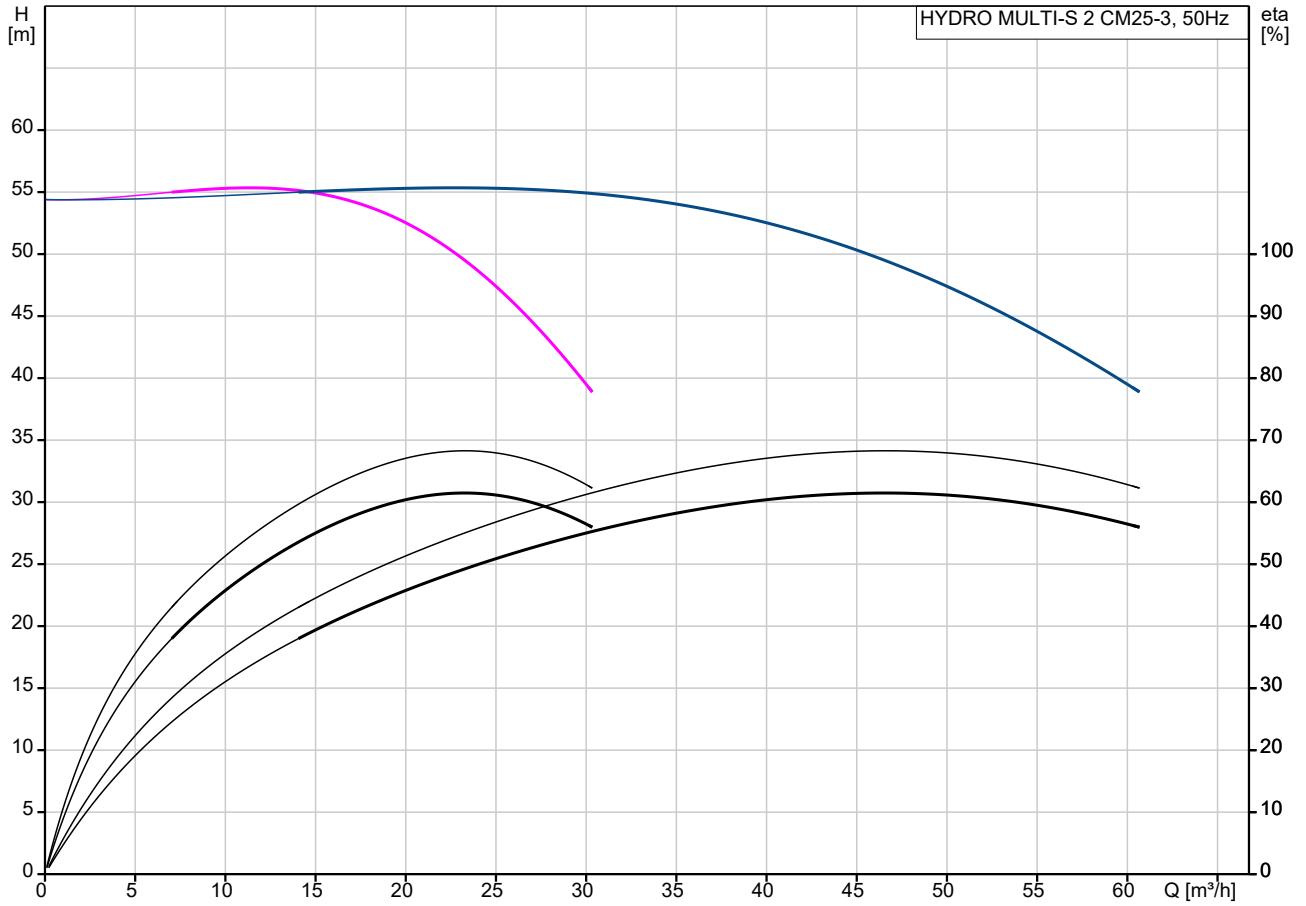
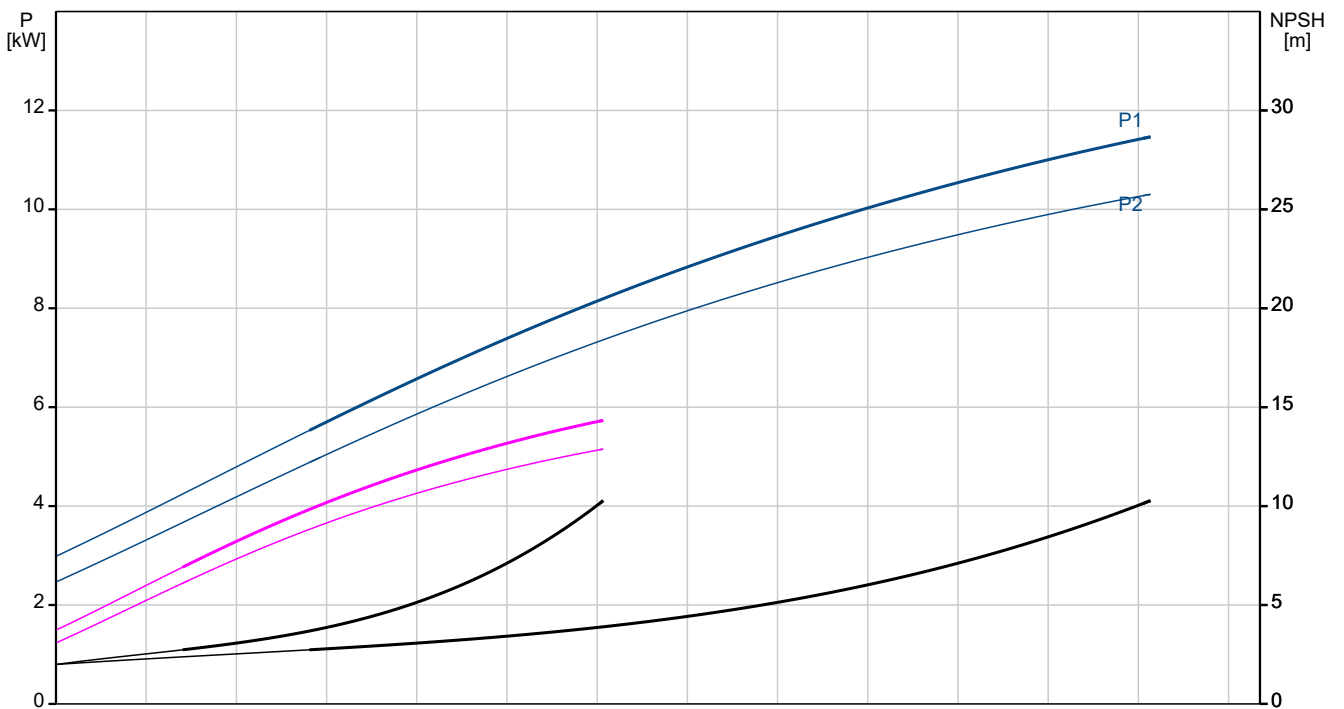


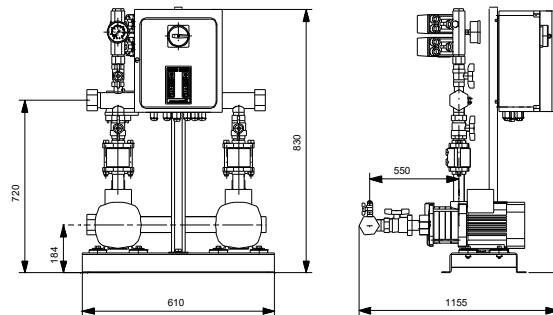
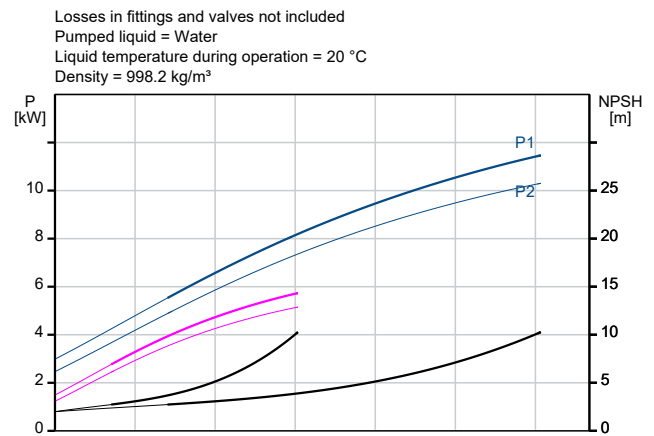
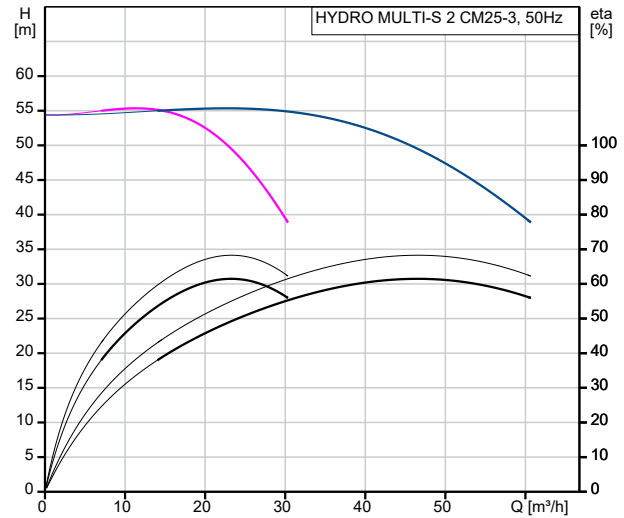
## 99191897 HYDRO MULTI-S 2 CM25-3 50 Hz



Losses in fittings and valves not included  
 Pumped liquid = Water  
 Liquid temperature during operation = 20 °C  
 Density = 998.2 kg/m<sup>3</sup>



Description	Value
<b>General information:</b>	
Product name:	HYDRO MULTI-S 2 CM25-3
Product No:	99191897
<b>Technical:</b>	
Min flow system:	7 m <sup>3</sup> /h
Max flow system:	50 m <sup>3</sup> /h
Maximum head:	36 m
Approvals:	CE
Pump name:	CM25-3
Non-ret. valve:	NO
Number of pumps:	2
<b>Materials:</b>	
Manifold:	Galvanised steel
<b>Installation:</b>	
Maximum operating pressure:	10 bar
Pipe connection:	3
Earth connection:	PE
<b>Liquid:</b>	
Pumped liquid:	Water
Liquid temperature range:	5 .. 70 °C
Selected liquid temperature:	20 °C
Density:	998.2 kg/m <sup>3</sup>
<b>Electrical data:</b>	
Mains frequency:	50 Hz
Rated voltage:	1 x 380-415 V
Method of start:	DOL
Enclosure class (IEC 34-5):	IP54
<b>Others:</b>	
Net weight:	101 kg
Gross weight:	113 kg
Sales region:	Thailand





Company name:

Created by:

Phone:

Date:

19/07/2024

# 99191897 HYDRO MULTI-S 2 CM25-3 50 Hz

