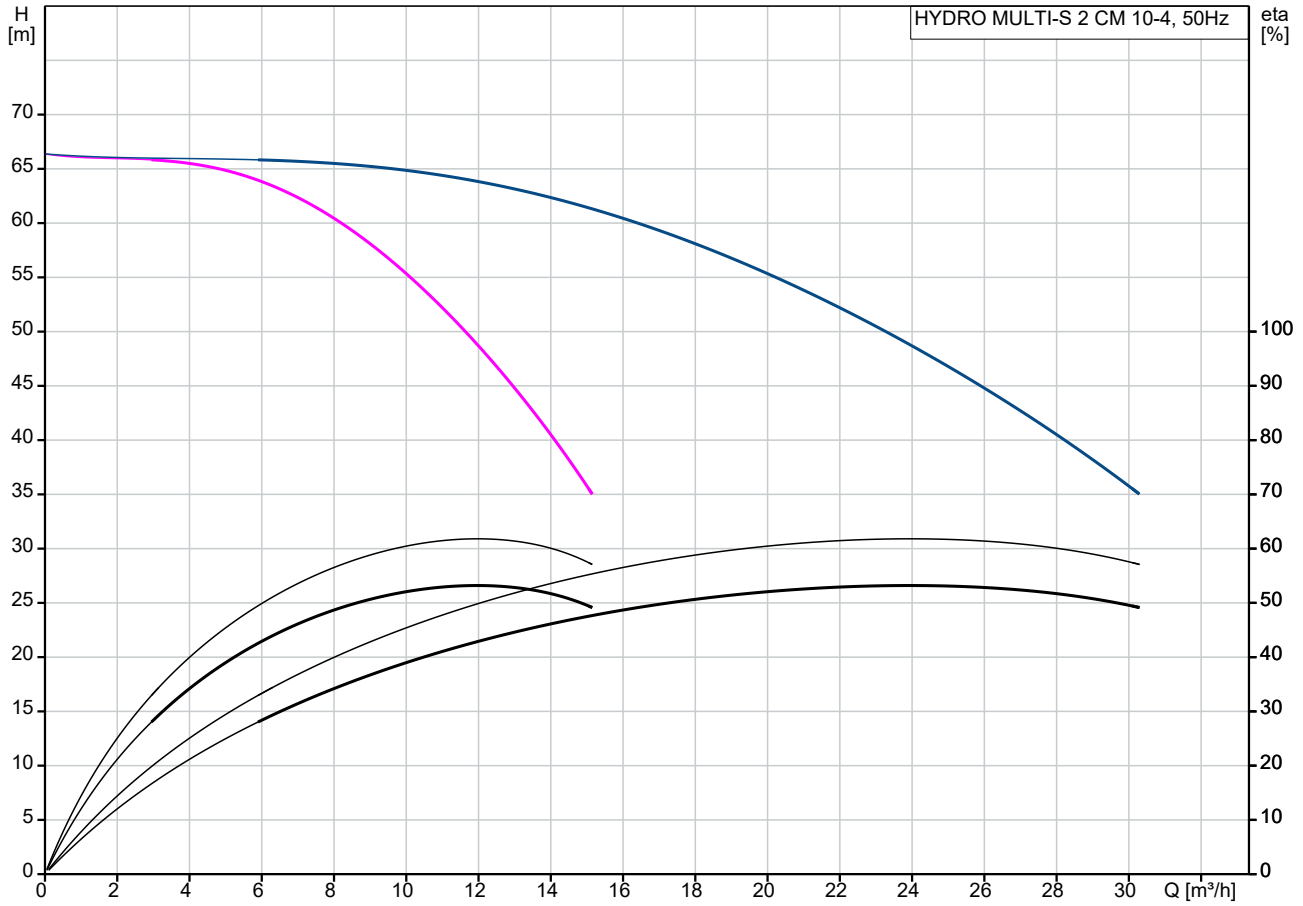
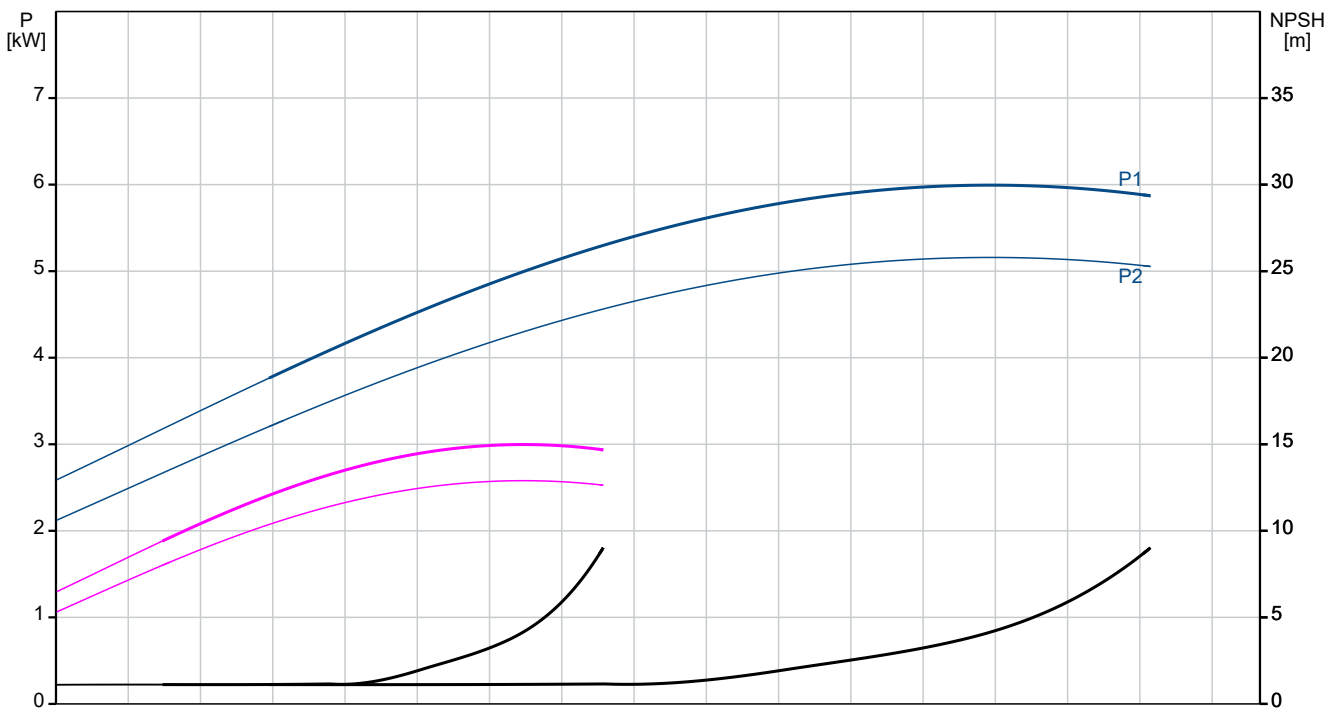


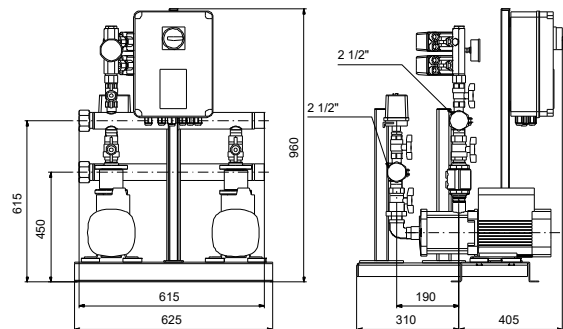
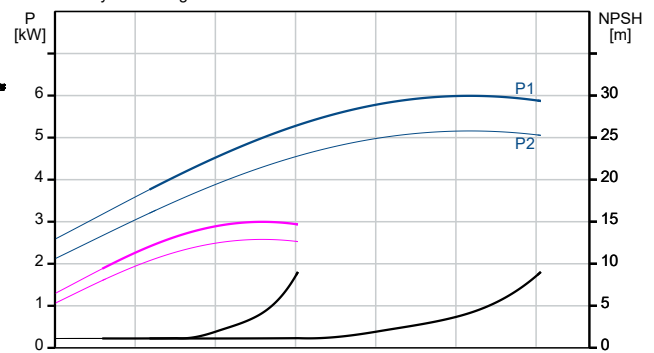
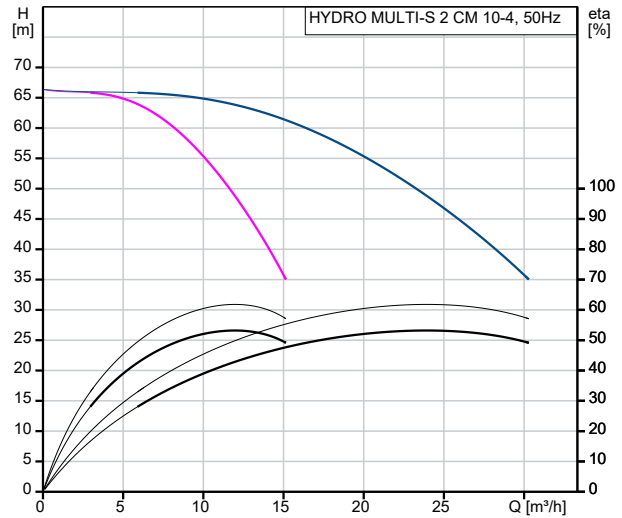
91047129 HYDRO MULTI-S 2 CM 10-4 50 Hz



Losses in fittings and valves not included
 Pumped liquid = Water
 Liquid temperature during operation = 20 °C
 Density = 998.2 kg/m³



Description	Value
General information:	
Product name:	HYDRO MULTI-S 2 CM 10-4
Product No:	91047129
EAN number:	5710626581191
Technical:	
Rated flow:	20 m ³ /h
Maximum flow:	30 m ³ /h
Min flow system:	3 m ³ /h
Max flow system:	30 m ³ /h
Rated head:	54 m
Maximum head:	63 m
Approvals:	CE
Pump name:	CM10-4
Model:	B
Non-ret. valve:	NO
Number of pumps:	2
Materials:	
Pump housing:	Cast iron
Pump housing:	EN 1561 EN-GJL-200
Pump housing:	ASTM A48-25A
Manifold:	Galvanised steel
Base:	Steel
Base:	EN 1.0533
Installation:	
Maximum operating pressure:	10 bar
Pipe connection:	2 1/2"
Earth connection:	PE
Liquid:	
Pumped liquid:	Water
Liquid temperature range:	5 .. 40 °C
Selected liquid temperature:	20 °C
Density:	998.2 kg/m ³
Electrical data:	
Rated power - P2:	3.2 kW
Mains frequency:	50 Hz
Rated voltage:	3 x 220-240/380-415 V
Method of start:	DOL
Enclosure class (IEC 34-5):	IP54
Others:	
Net weight:	117 kg
Gross weight:	137 kg
Shipping volume:	1.15 m ³
Language:	GB



91047129 HYDRO MULTI-S 2 CM 10-4 50 Hz

