

**Qty. Description**

1 CM 10-4 A-R-A-E-AVBE F-A-A-N



Note! Product picture may differ from actual product

Product No.: [96935485](#)

Compact, reliable, horizontal, multistage, end-suction centrifugal pump with axial suction port and radial discharge port. The shaft, impellers and chambers are made of stainless steel. The inlet and discharge parts are made of cast iron. The mechanical shaft seal is a special designed, unbalanced O-ring seal. Pipework connection is via internal Whitworth pipe threads, Rp (ISO 7/1).

The pump is fitted with a 3-phase, foot-mounted, fan-cooled asynchronous motor.

**Controls:**

Frequency converter: None

**Liquid:**

Pumped liquid: Water  
 Liquid temperature range: -20 .. 40 °C  
 Selected liquid temperature: 20 °C  
 Density: 998.2 kg/m<sup>3</sup>

**Technical:**

Pump speed on which pump data are based: 2900 rpm  
 Actual calculated flow: 8.017 m<sup>3</sup>/h  
 Rated flow: 10 m<sup>3</sup>/h  
 Resulting head of the pump: 60.41 m  
 Rated head: 53.93 m  
 Code for shaft seal: AVBE  
 Approvals: EAC  
 Approvals for drinking water: ACS, NSF61  
 Curve tolerance: ISO9906:2012 3B

**Materials:**

Pump housing: Cast iron  
 EN-GJL-200  
 ASTM A48-25A  
 Impeller: Stainless steel  
 EN 1.4301  
 AISI 304

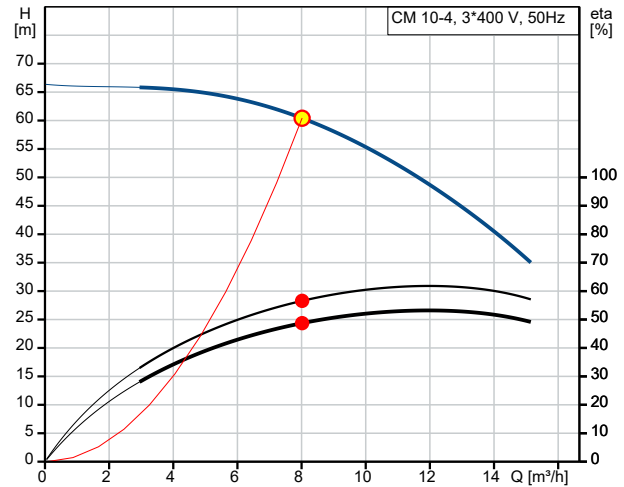
**Installation:**

Range of ambient temperature: -20 .. 55 °C  
 Maximum operating pressure: 10 bar  
 Max pressure at stated temp: 10 bar / 40 °C  
 10 bar / 40 °C  
 Type of connection: Rp  
 Size of inlet connection: 1 1/2 inch  
 Size of outlet connection: 1 1/2 inch  
 Outlet position: 12

Qty.	Description
------	-------------

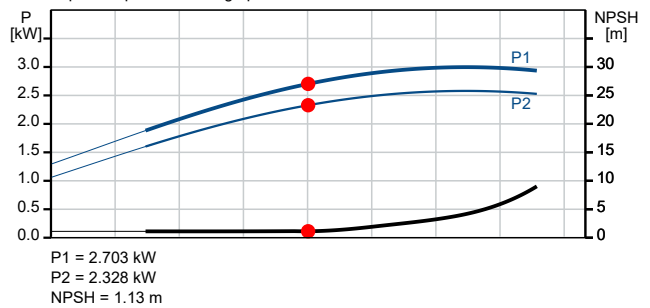
1	Electrical data:
	Motor standard: IEC
	Frame size: 100LA
	IE efficiency class: IE2
	Rated power - P2: 3.2 kW
	Mains frequency: 50 Hz
	Suitable for 50/60 Hz: N
	Rated voltage: 3 x 220-240D/380-415Y V
	Service factor: 1.00
	Rated current: 11,8-11,0/6,75-6,40 A
	Starting current: 800-880 %
	Rated speed: 2900-2920 rpm
	Enclosure class (IEC 34-5): IP55
	Insulation class (IEC 85): F
	Built-in motor protection: PTC
	Cable included (Yes/No): N
	Others:
	Terminal box position: 12
	Minimum efficiency index, MEI $\geq$ : 0.7
	Net weight: 38.8 kg
	Gross weight: 41.3 kg

Description	Value
<b>General information:</b>	
Product name:	CM 10-4 A-R-A-E-AVBE F-A-A-N
Product No:	96935485
EAN number:	5700314053932
<b>Technical:</b>	
Pump speed on which pump data are based:	2900 rpm
Actual calculated flow:	8.017 m <sup>3</sup> /h
Rated flow:	10 m <sup>3</sup> /h
Resulting head of the pump:	60.41 m
Rated head:	53.93 m
Impellers:	4
Code for shaft seal:	AVBE
Approvals:	EAC
Approvals for drinking water:	ACS, NSF61
Curve tolerance:	ISO9906:2012 3B
Pump version:	A
Model:	A
<b>Materials:</b>	
Pump housing:	Cast iron
Pump housing:	EN-GJL-200
Pump housing:	ASTM A48-25A
Impeller:	Stainless steel
Impeller:	EN 1.4301
Impeller:	AISI 304
Material code:	A
Code for rubber:	E
<b>Installation:</b>	
Range of ambient temperature:	-20 .. 55 °C
Maximum operating pressure:	10 bar
Max pressure at stated temp:	10 bar / 40 °C
Max pressure at stated temp:	10 bar / 40 °C
Type of connection:	Rp
Size of inlet connection:	1 1/2 inch
Size of outlet connection:	1 1/2 inch
Outlet position:	12
Connect code:	R
<b>Liquid:</b>	
Pumped liquid:	Water
Liquid temperature range:	-20 .. 40 °C
Selected liquid temperature:	20 °C
Density:	998.2 kg/m <sup>3</sup>
<b>Electrical data:</b>	
Motor standard:	IEC
Frame size:	100LA
IE efficiency class:	IE2
Rated power - P2:	3.2 kW
Mains frequency:	50 Hz
Suitable for 50/60 Hz:	N
Rated voltage:	3 x 220-240D/380-415Y V
Service factor:	1.00
Rated current:	11,8-11,0/6,75-6,40 A
Starting current:	800-880 %
Rated speed:	2900-2920 rpm
Enclosure class (IEC 34-5):	IP55
Insulation class (IEC 85):	F
Built-in motor protection:	PTC

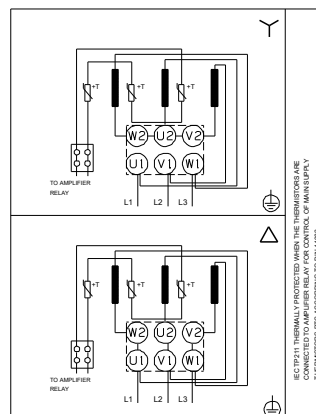
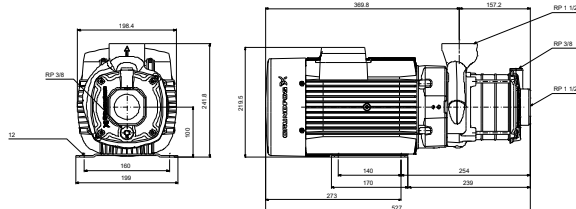


Q = 8.017 m<sup>3</sup>/h  
n = 2935 rpm  
Density = 998.2 kg/m<sup>3</sup>  
Eta pump+motor = 48.7 %  
Liquid temperature during operation = 20 °C

H = 60.41 m  
Pumped liquid = Water  
Eta pump = 56.6 %



P1 = 2.703 kW  
P2 = 2.328 kW  
NPSH = 1.13 m





Company name:

Created by:

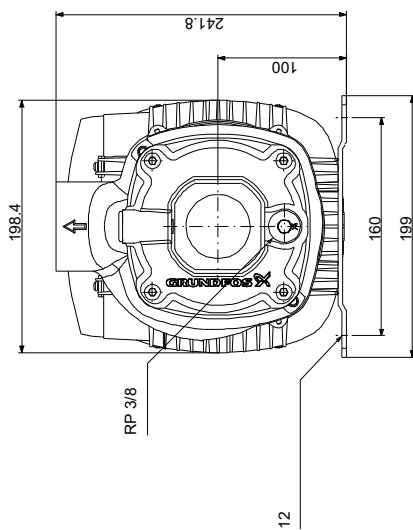
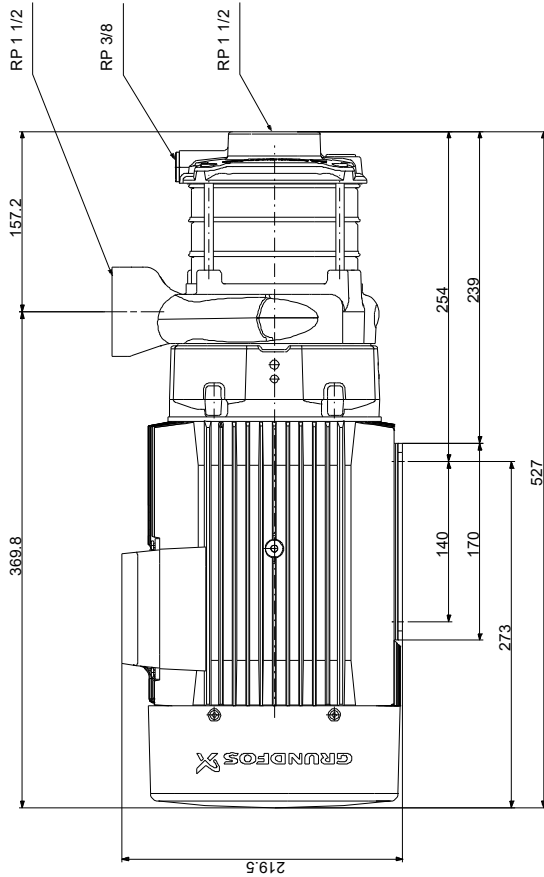
Phone:

Date:

02/03/2024

Description	Value
Cable included (Yes/No):	N
<b>Controls:</b>	
Frequency converter:	None
<b>Others:</b>	
Terminal box position:	12
Minimum efficiency index, MEI $\geq$ :	0.7
Net weight:	38.8 kg
Gross weight:	41.3 kg

## 96935485 CM 10-4 A-R-A-E-AVBE F-A-A-N 50 Hz



Note! All units are in [mm] unless others are stated.  
Disclaimer: This simplified dimensional drawing does not show all details.