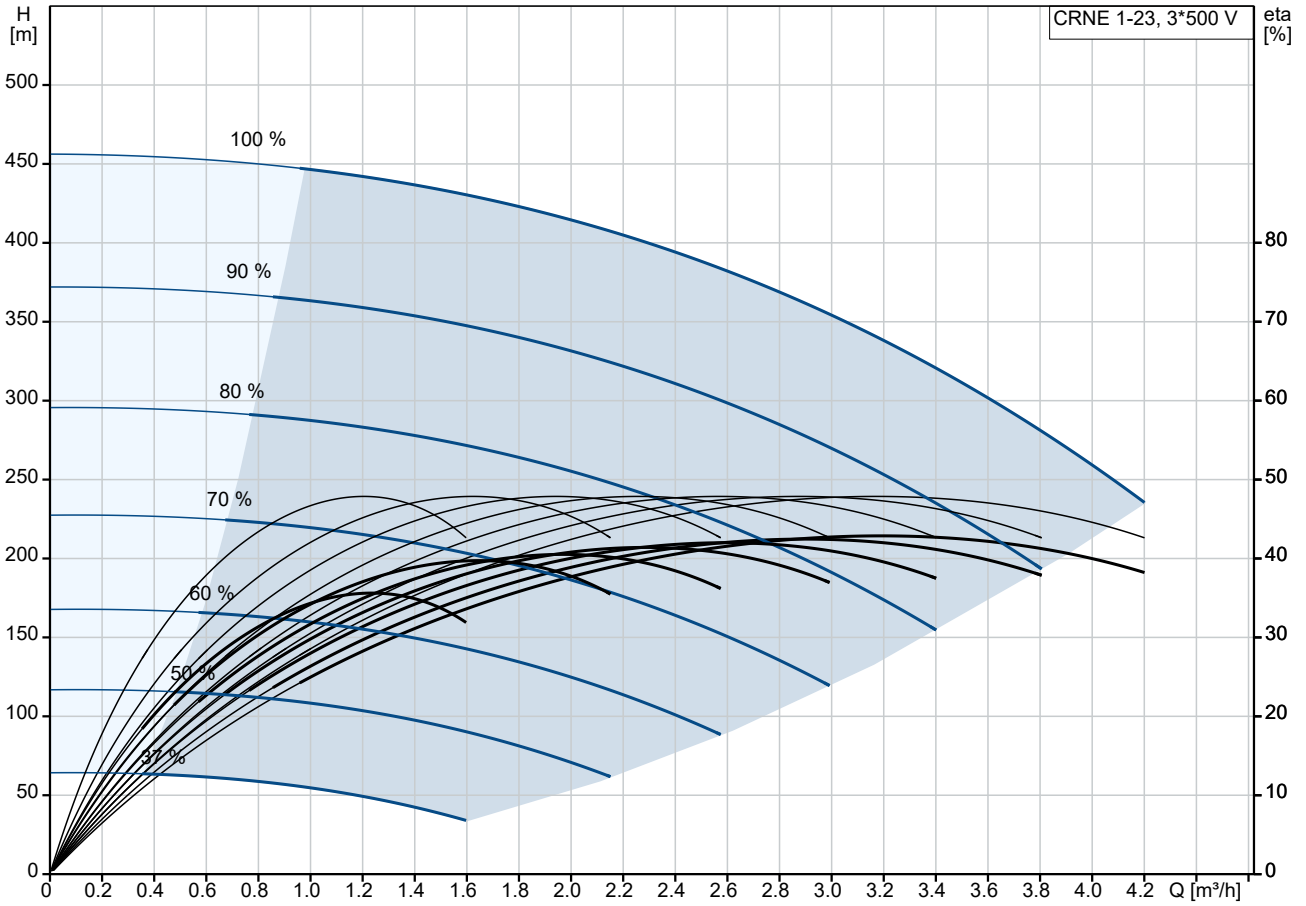
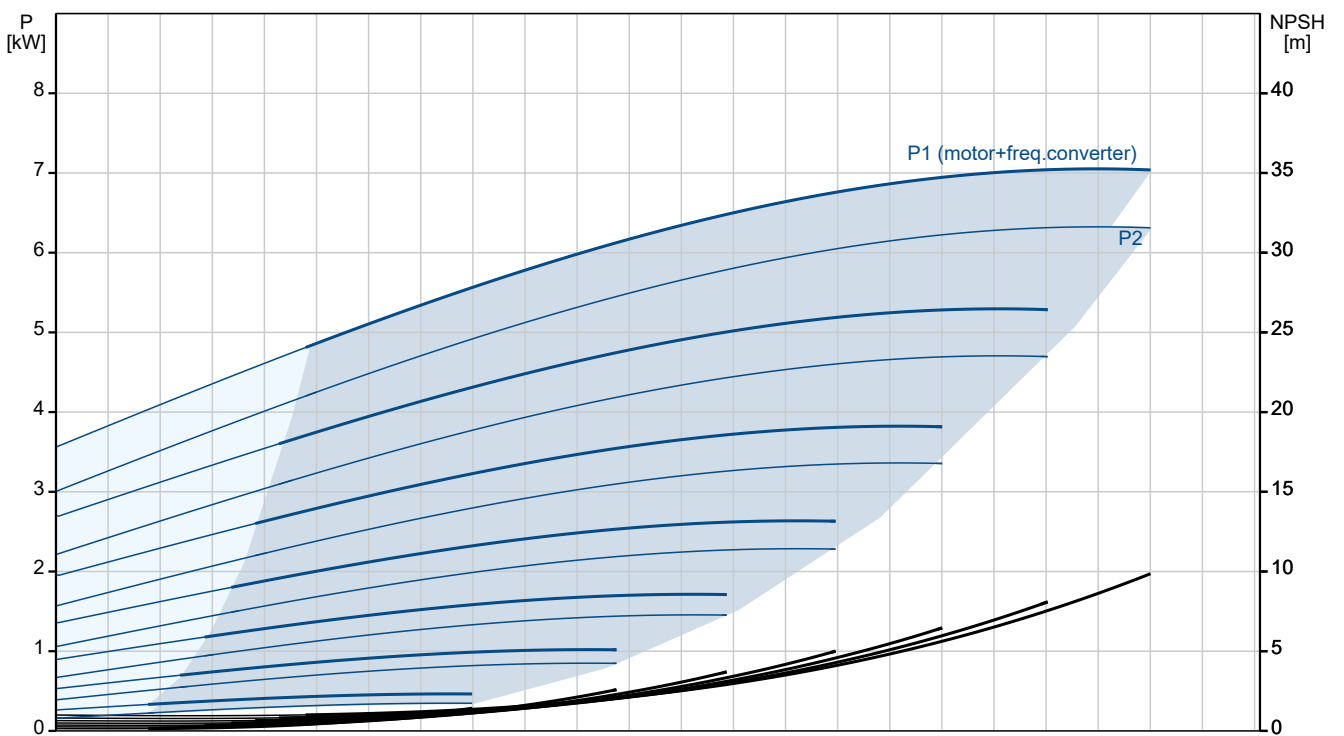


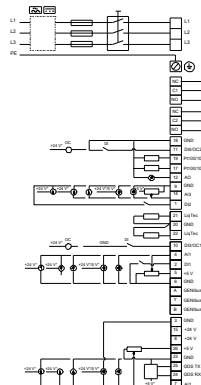
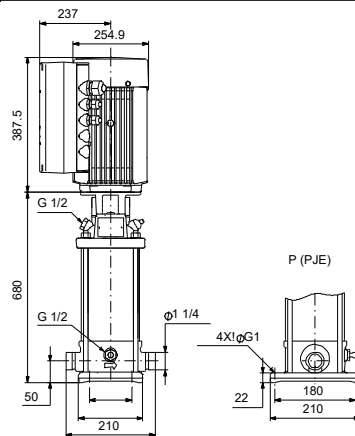
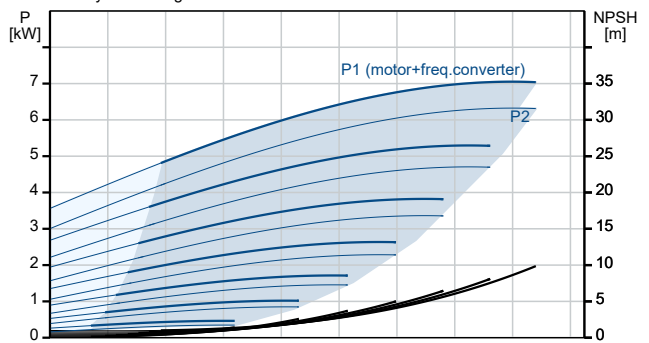
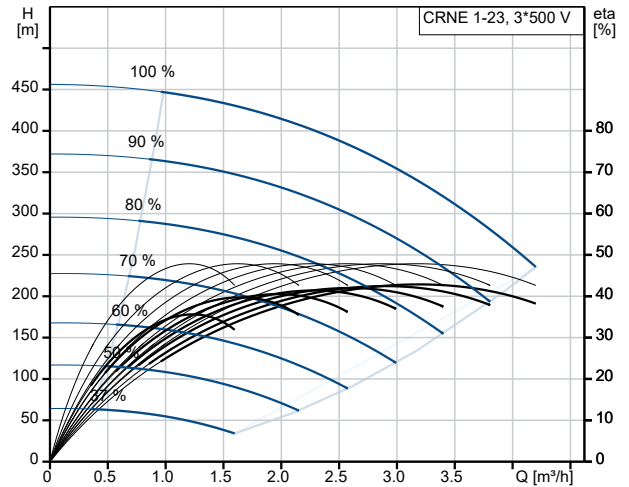
99050538 CRNE 1-23 Q-P-T-E-HQQE



Pumped liquid = Water
 Liquid temperature during operation = 20 °C
 Density = 998.2 kg/m³



| Description | Value |
|--|------------------------------|
| General information: | |
| Product name: | CRNE 1-23 Q-P-T-E-HQQE |
| Product No: | 99050538 |
| EAN number: | 5712605798866 |
| Technical: | |
| Pump speed on which pump data are based: | 5500 rpm |
| Rated flow: | 3.5 m³/h |
| Rated head: | 357.1 m |
| Head max: | 486.8 m |
| Stages: | 23 |
| Impellers: | 23 |
| Low NPSH: | N |
| Code for shaft seal: | HQQE |
| Approvals: | CE, EAC, UKCA, CURUS, SE PRO |
| Approvals for drinking water: | ACS |
| Curve tolerance: | ISO9906:2012 3B |
| Pump version: | Q |
| Model: | A |
| Materials: | |
| Pump housing: | Stainless steel |
| Pump housing: | DIN W.-Nr. 1.4408 |
| Pump housing: | ASTM A 351 CF 8M |
| Impeller: | Stainless steel |
| Impeller: | DIN W.-Nr. 1.4401 |
| Impeller: | AISI 316 |
| Material code: | T |
| Code for rubber: | E |
| Installation: | |
| Maximum ambient temperature: | 50 °C |
| Max pressure at stated temp: | 50 bar / 120 °C |
| Max pressure at stated temp: | 50 bar / -20 °C |
| Type of connection: | PJE |
| Size of connection: | 1 1/4 inch |
| Flange size for motor: | FT130 |
| Connect code: | P |
| Liquid: | |
| Pumped liquid: | Water |
| Liquid temperature range: | -20 .. 120 °C |
| Selected liquid temperature: | 20 °C |
| Density: | 998.2 kg/m³ |
| Electrical data: | |
| Motor type: | 132SF |
| Rated power - P2: | 7.5 kW |
| Over/undersize motor: | Standard motor size |
| Mains frequency: | 50 / 60 Hz |
| Rated voltage: | 3 x 380-500 V |
| Rated current: | 14.2-11.3 A |
| Cos phi - power factor: | 0.93-0.89 |
| Rated speed: | 480-5900 rpm |
| IE Efficiency class: | IE5 |
| Enclosure class (IEC 34-5): | IP55 |
| Insulation class (IEC 85): | F |
| Built-in motor protection: | ELEC |
| Motor No: | 98989635 |
| Controls: | |
| Control panel: | HMI200 - Standard |





Company name:

Created by:

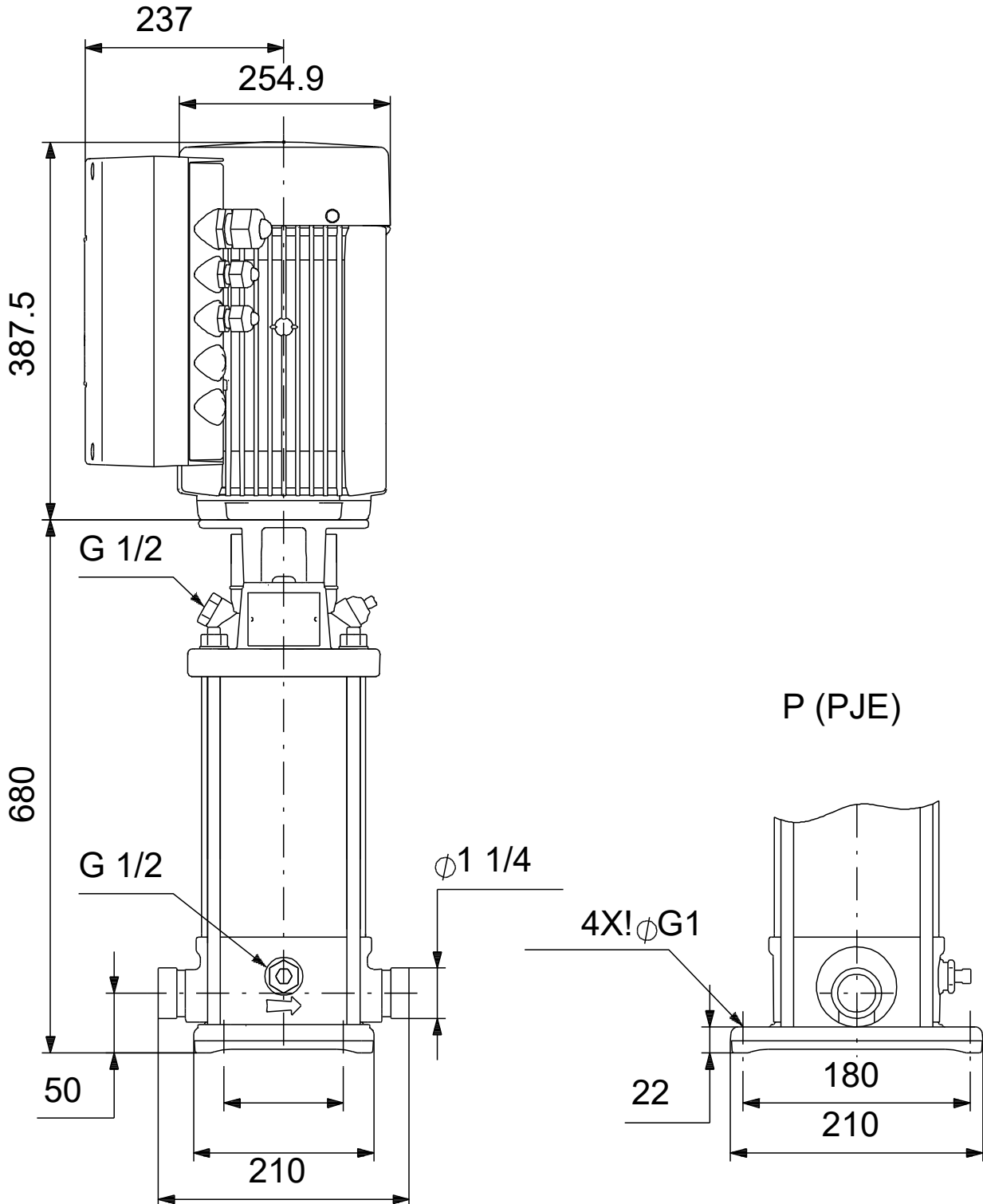
Phone:

Date:

15/07/2024

| Description | Value |
|----------------------------------|------------------|
| Function Module: | FM300 - Advanced |
| Frequency converter: | Built-in |
| Others: | |
| Minimum efficiency index, MEI ≥: | 0.70 |
| Net weight: | 74 kg |
| Gross weight: | 98.1 kg |
| Config. file no: | 99061347 |
| Danish VVS No.: | 386010723 |

99050538 CRNE 1-23 Q-P-T-E-HQQE



Note! All units are in [mm] unless others are stated.
Disclaimer: This simplified dimensional drawing does not show all details.