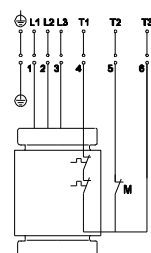
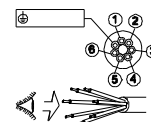
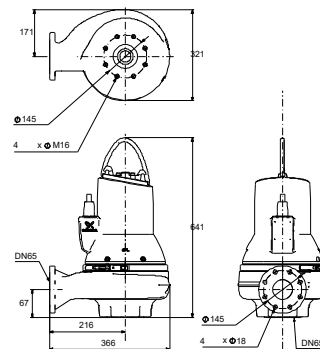
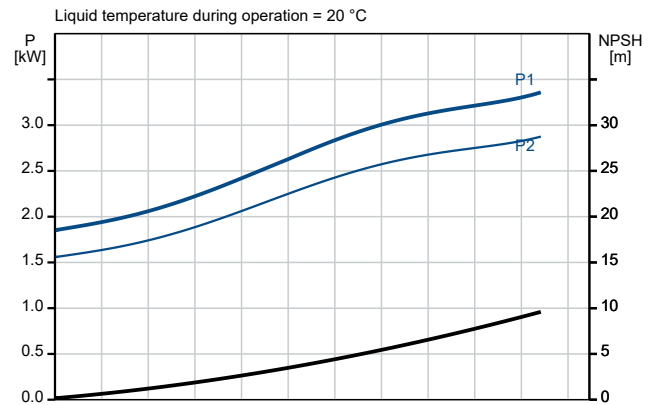
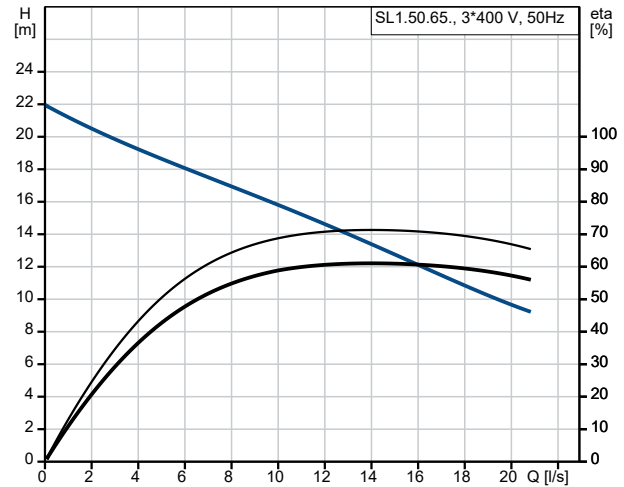


Description	Value
General information:	
Product name:	SL1.50.65.30.2.50B.C
Product No:	98626079
EAN number:	5711498465879
Technical:	
Rated flow:	15.2 l/s
Maximum flow:	19.4 l/s
Rated head:	13.07 m
Maximum head:	22 m
Type of impeller:	S-TUBE
Max. Particle:	50 mm
Primary shaft seal:	SIC/SIC
Approvals:	CE EN12050-2
Curve tolerance:	ISO9906:2012 3B2
Cooling jacket (Yes/No):	N
Materials:	
Pump housing:	Cast iron
Pump housing:	EN 5.1301 EN-GJL-250
Impeller:	Cast iron
Impeller:	EN 5.1301 EN-GJL-250
Motor:	EN-GJL-250
Installation:	
Range of ambient temperature:	0 .. 40 °C
Maximum operating pressure:	6 bar
Type of inlet connection:	DIN
Type of outlet connection:	DIN
Size of inlet connection:	DN 65
Size of outlet connection:	DN 65
Pressure rating for connection:	PN 10
Maximum installation depth:	7 m
Inst dry/wet:	SUBMERGED
Installation:	Vertical
Auto coupling:	96090992
Frame range:	B
Liquid:	
Liquid temperature range:	0 .. 40 °C
Selected liquid temperature:	20 °C
Density:	998.2 kg/m ³
Electrical data:	
Power input P1:	3.8 kW
Rated power - P2:	3 kW
Mains frequency:	50 Hz
Rated voltage:	3 x 400-415 V
Voltage tolerance:	+10/-10 %
Max starts per hour:	20
Rated current:	6.4 A
Cos phi - power factor:	0.85
Cos phi - p.f. at 3/4 load:	0.79
Cos phi - p.f. at 1/2 load:	0.67
Rated speed:	2909 rpm
Motor efficiency at full load:	85.6 %
Motor efficiency at 3/4 load:	85.6 %
Motor efficiency at 1/2 load:	84.0 %
Number of poles:	2
Method of start:	DOL
Enclosure class (IEC 34-5):	IP68
Insulation class (IEC 85):	H
Explosion proof:	no





Company name:

Created by:

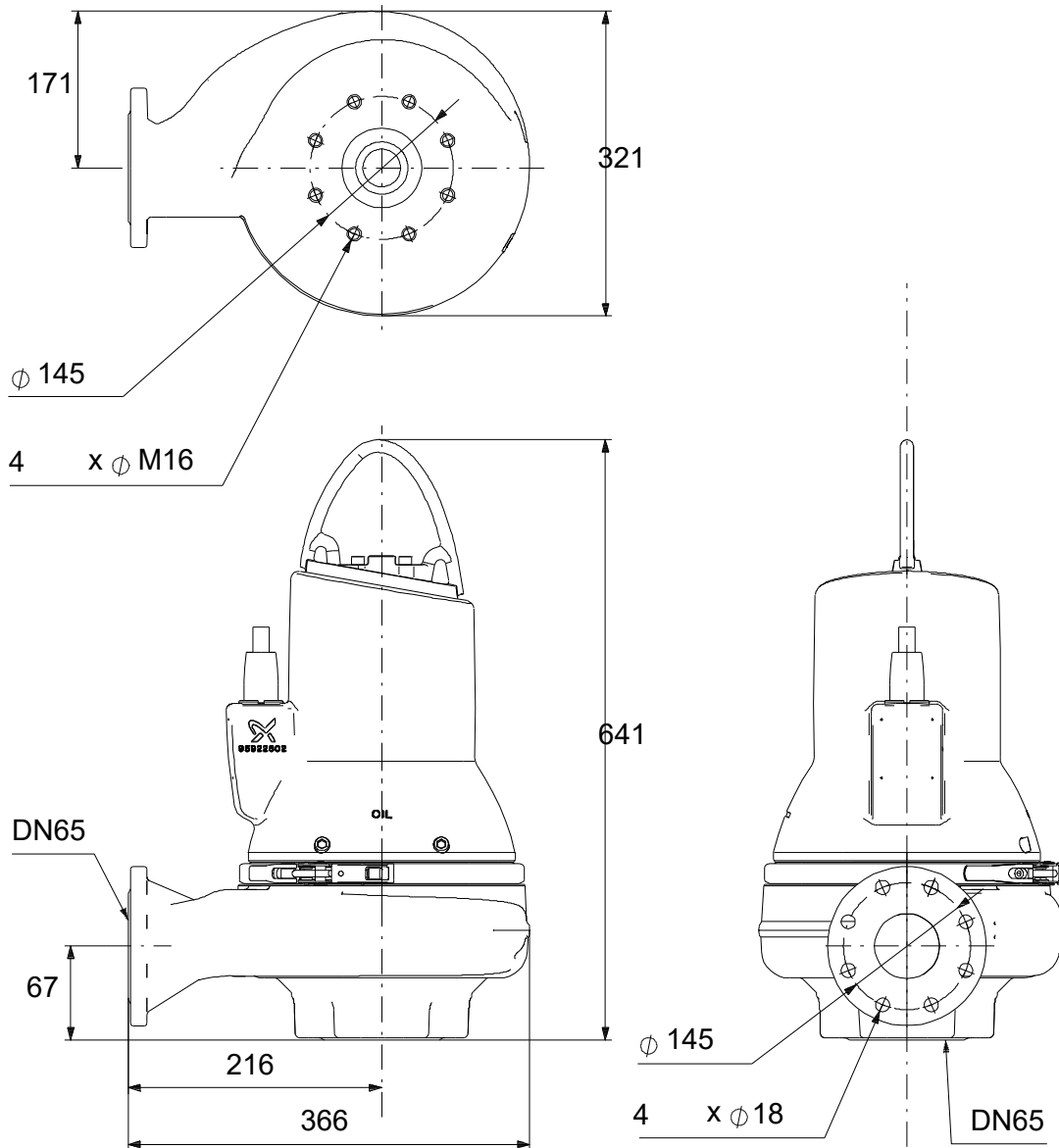
Phone:

Date:

18/07/2024

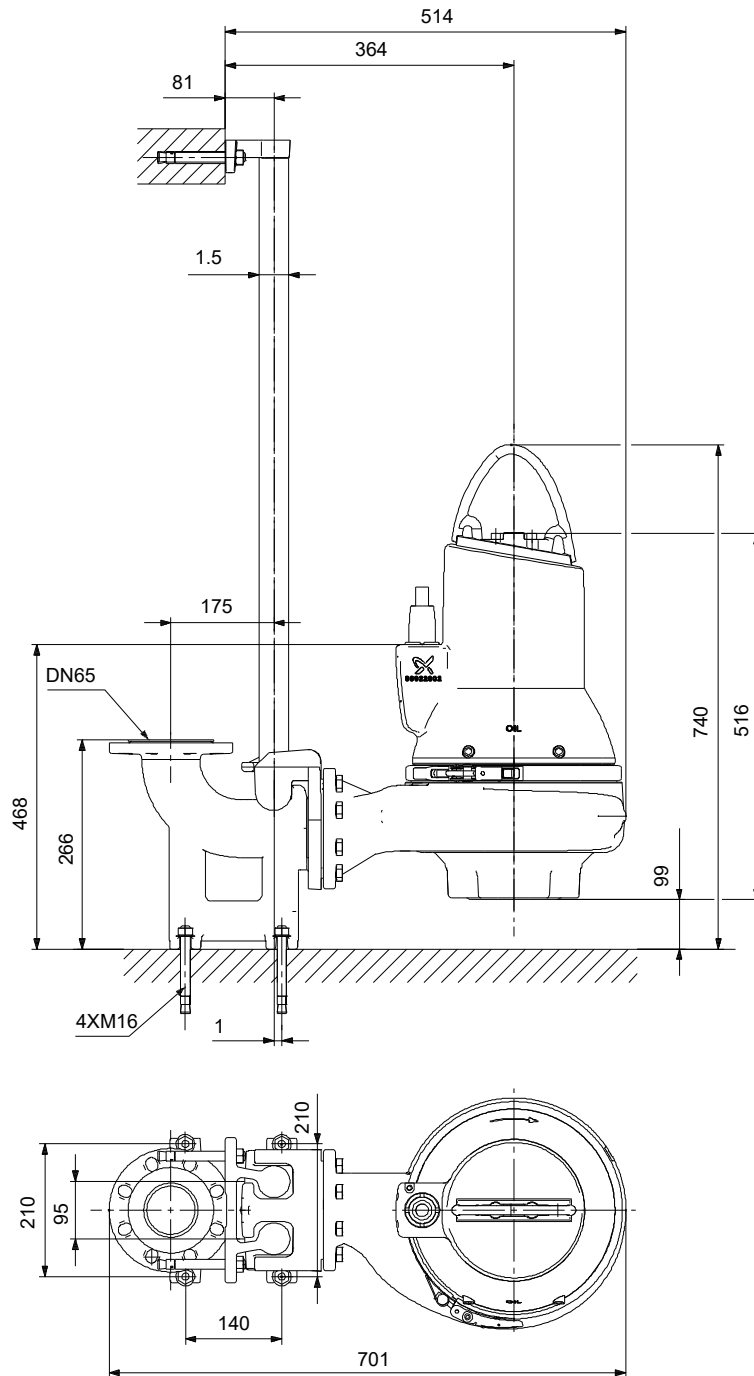
Description	Value
Built-in motor protection:	THERMAL SWITCH
Power cable type:	07RN8-F
Length of power cable:	10 m
Power plug:	No plug
Controls:	
Control box:	N
Moisture sensor:	Y
Water-in-oil sensor:	N
Others:	
Net weight:	94.8 kg
Gross weight:	107 kg

98626079 SL1.50.65.30.2.50B.C 50 Hz



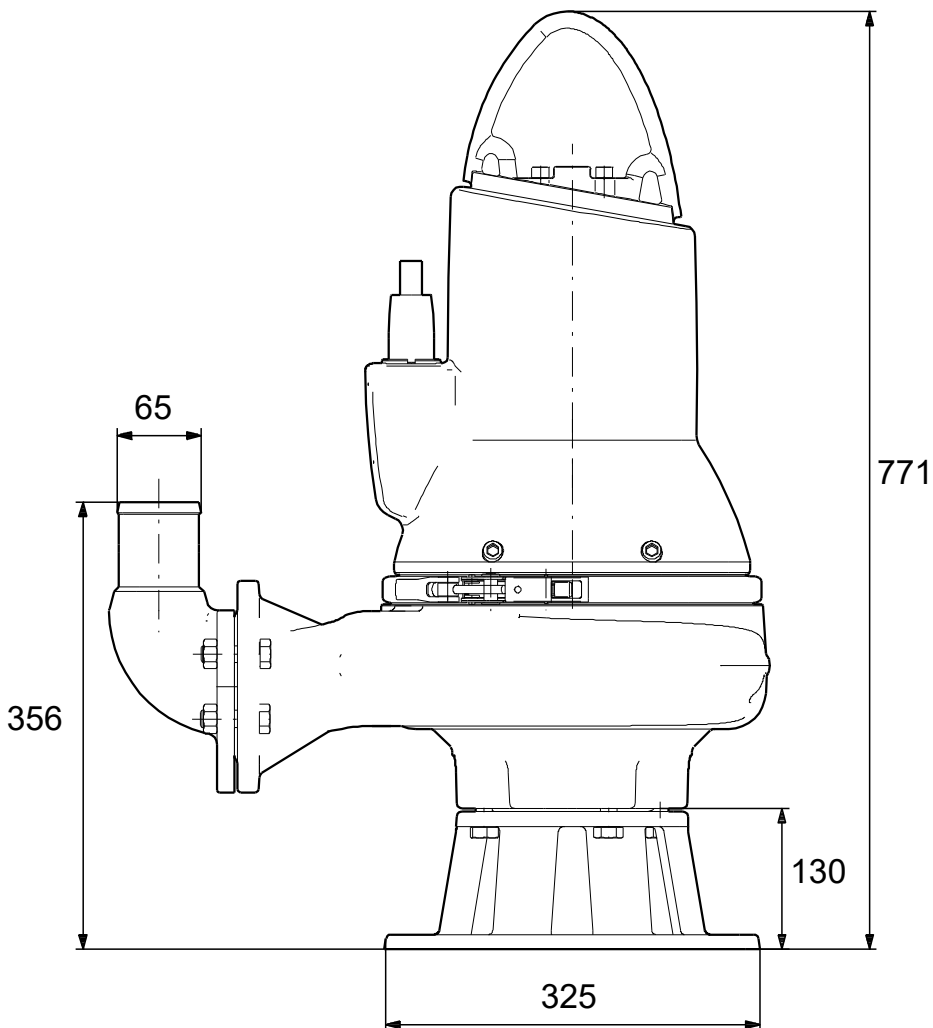
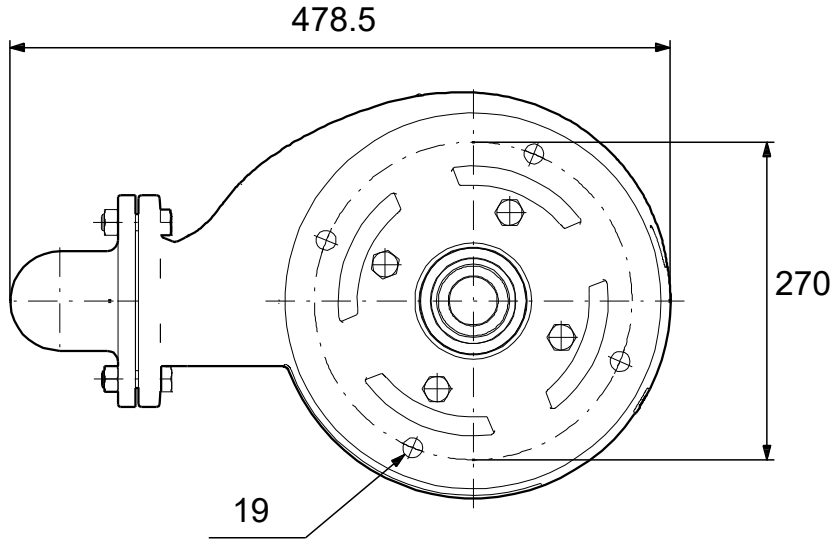
Note! All units are in [mm] unless others are stated.
Disclaimer: This simplified dimensional drawing does not show all details.

98626079 SL1.50.65.30.2.50B.C 50 Hz



Note! All units are in [mm] unless others are stated.
Disclaimer: This simplified dimensional drawing does not show all details.

98626079 SL1.50.65.30.2.50B.C 50 Hz



Note! All units are in [mm] unless others are stated.
Disclaimer: This simplified dimensional drawing does not show all details.