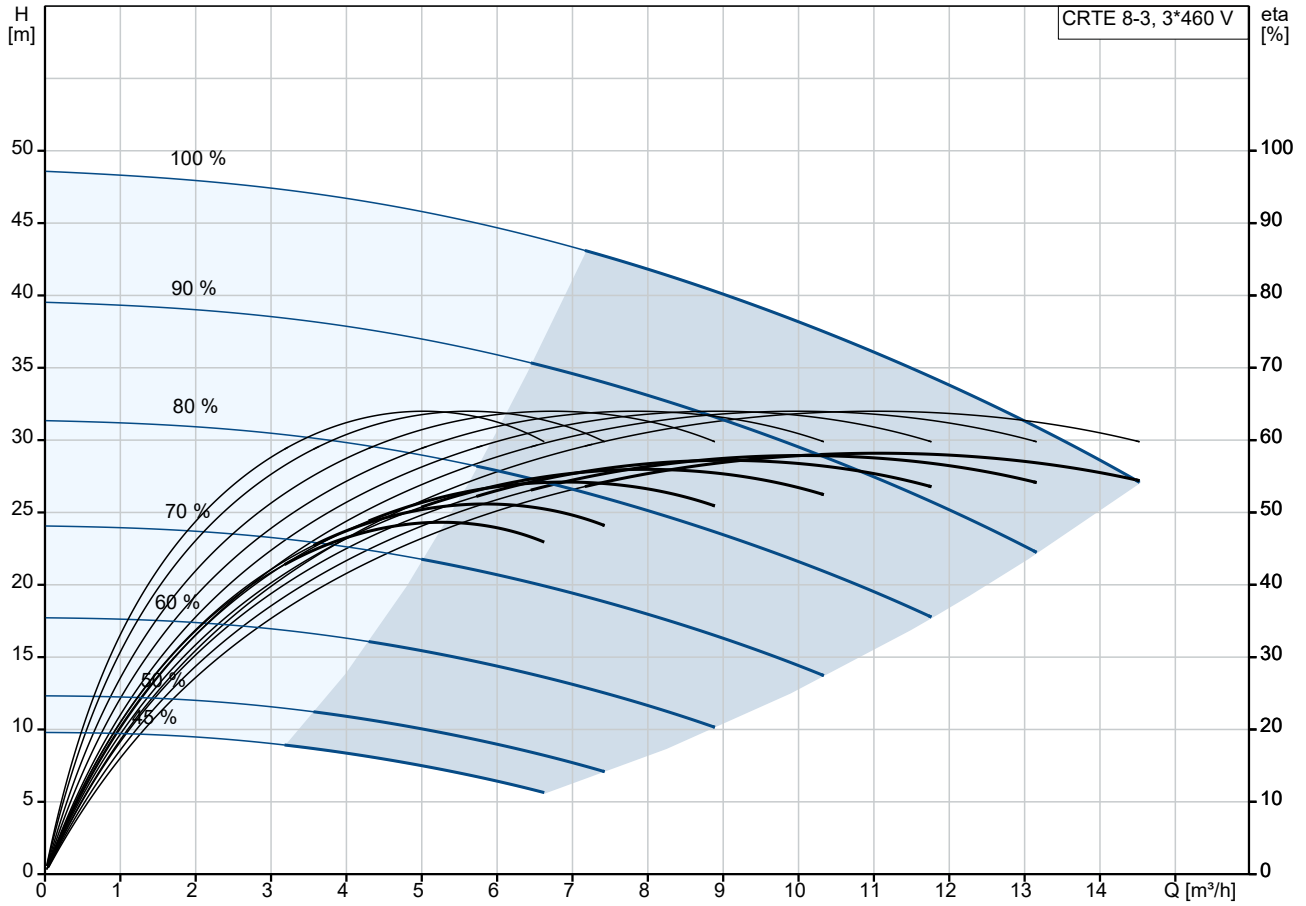
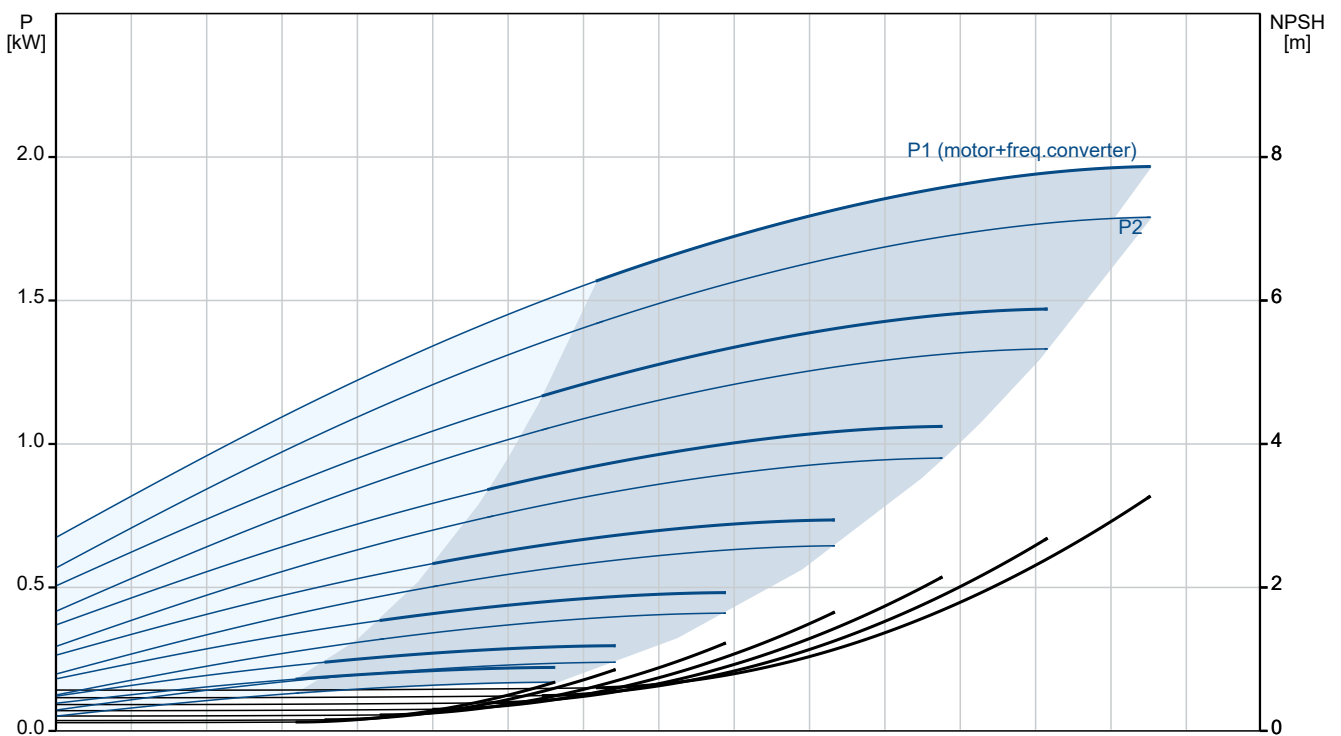


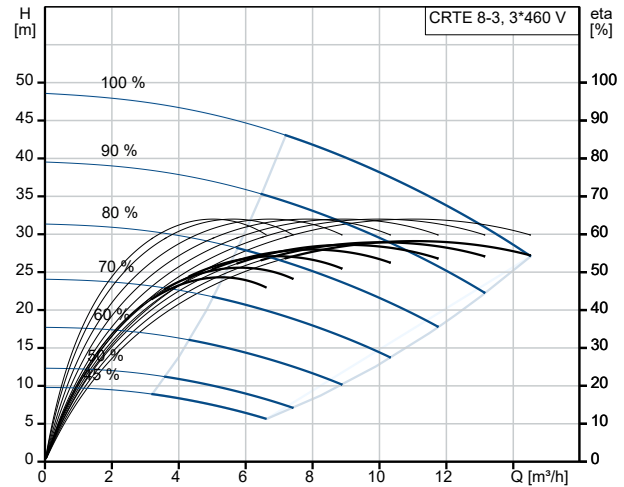
## 98388904 CRTE 8-3 A-P-A-E-AUUE



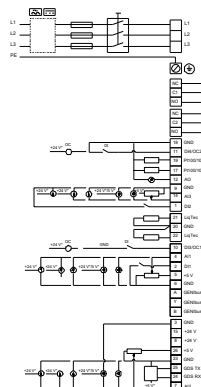
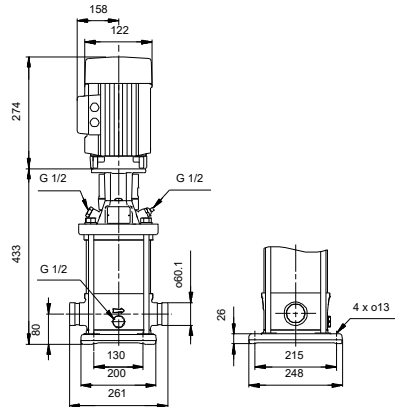
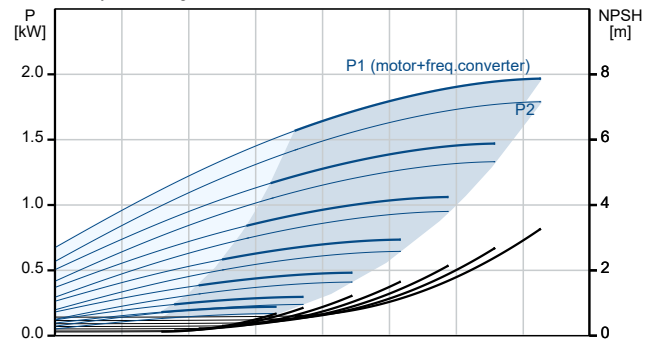
Pumped liquid = Water  
 Liquid temperature during operation = 20 °C  
 Density = 998.2 kg/m³



Description	Value
<b>General information:</b>	
Product name:	CRTE 8-3 A-P-A-E-AUUE
Product No:	98388904
EAN number:	5711494168415
<b>Technical:</b>	
Pump speed on which pump data are based:	3500 rpm
Rated flow:	12 m <sup>3</sup> /h
Rated head:	34.7 m
Maximum head:	47 m
Stages:	4
Impellers:	3
Code for shaft seal:	AUUE
Approvals:	CE,EAC,UKCA,CURUS,SE PRO
Curve tolerance:	ISO9906:2012 3B
Pump version:	A
Model:	A
<b>Materials:</b>	
Pump housing:	Titanium
Impeller:	Titanium
Impeller:	ASTM B 265
Material code:	A
Code for rubber:	E
Bearing:	SIC
<b>Installation:</b>	
Maximum ambient temperature:	50 °C
Maximum operating pressure:	25 bar
Max pressure at stated temp:	25 bar / 120 °C
Max pressure at stated temp:	25 bar / -20 °C
Type of connection:	PJE
Pipe connection:	60,3 mm
Flange size for motor:	FT115
Connect code:	P
<b>Liquid:</b>	
Pumped liquid:	Water
Liquid temperature range:	-20 .. 120 °C
Selected liquid temperature:	20 °C
Density:	998.2 kg/m <sup>3</sup>
<b>Electrical data:</b>	
Motor standard:	IEC
Motor type:	90LD
Rated power - P2:	2.2 kW
Power (P2) required by pump:	2.2 kW
Mains frequency:	50 / 60 Hz
Rated voltage:	3 x 380-500 V
Service factor:	0
Rated current:	4.15-3.4 A
Cos phi - power factor:	0.93-0.87
Rated speed:	360-4000 rpm
IE Efficiency class:	IE5
Enclosure class (IEC 34-5):	IP55
Insulation class (IEC 85):	F
Built-in motor protection:	ELEC
Motor No:	98190193
<b>Controls:</b>	
Control panel:	HMI200 - Standard
Function Module:	FM300 - Advanced



Pumped liquid = Water  
 Liquid temperature during operation = 20 °C  
 Density = 998.2 kg/m<sup>3</sup>





Company name:

Created by:

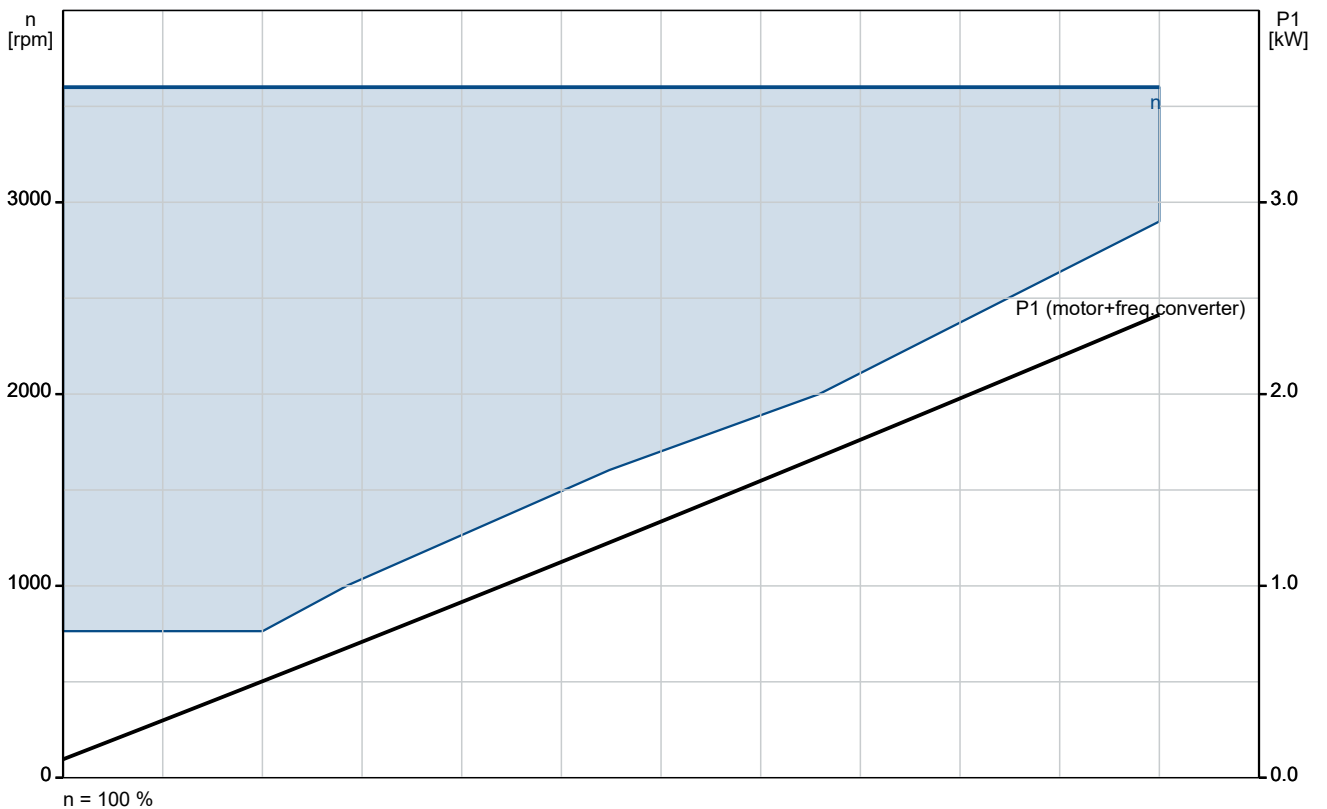
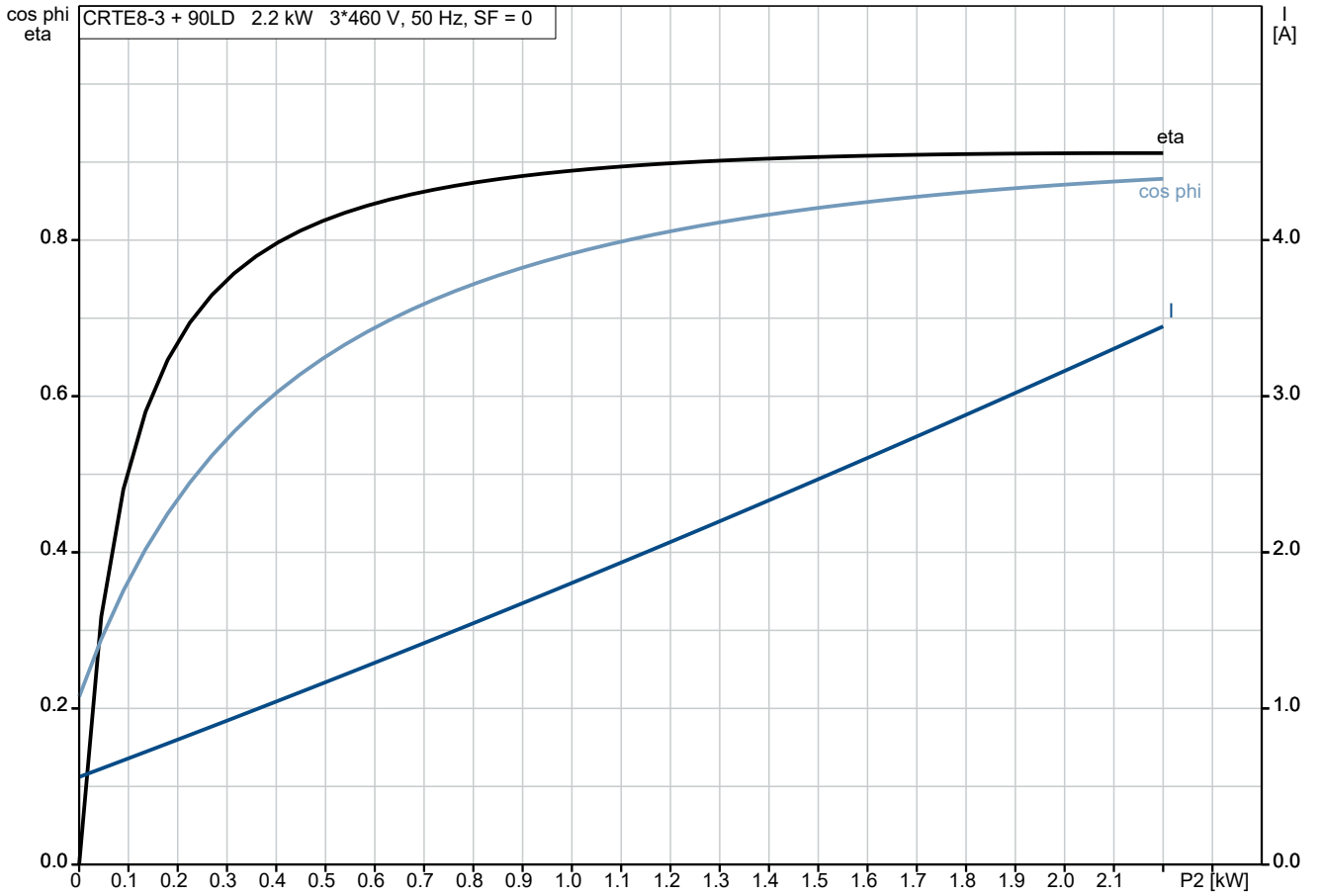
Phone:

Date:

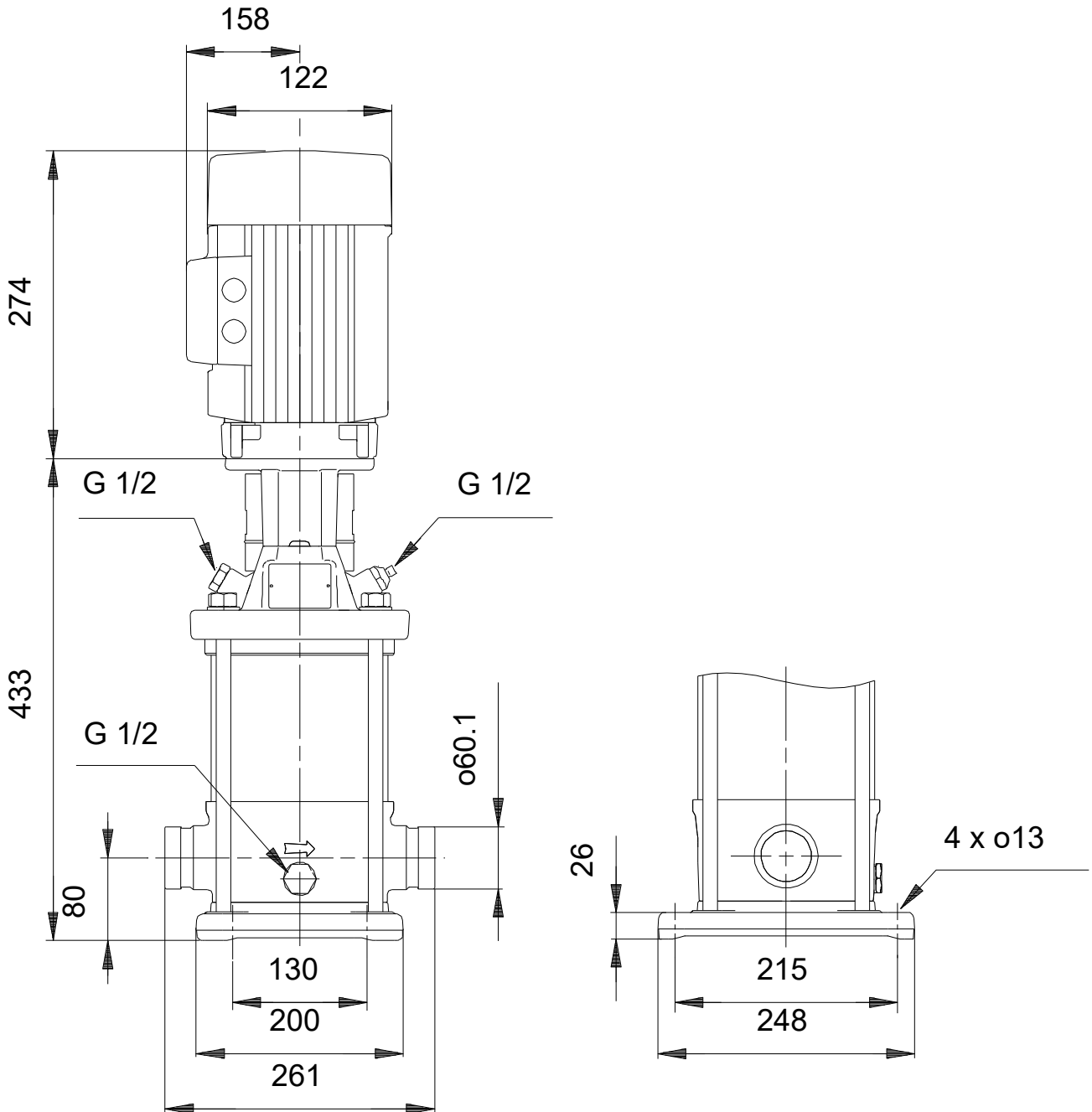
18/07/2024

Description	Value
Frequency converter:	Built-in
<b>Others:</b>	
Minimum efficiency index, MEI ≥:	0.7
Net weight:	40.1 kg
Gross weight:	46.7 kg
Config. file no:	98390478

## 98388904 CRTE 8-3 A-P-A-E-AUUE



## 98388904 CRTE 8-3 A-P-A-E-AUUE



Note! All units are in [mm] unless others are stated.  
Disclaimer: This simplified dimensional drawing does not show all details.