



Company name:

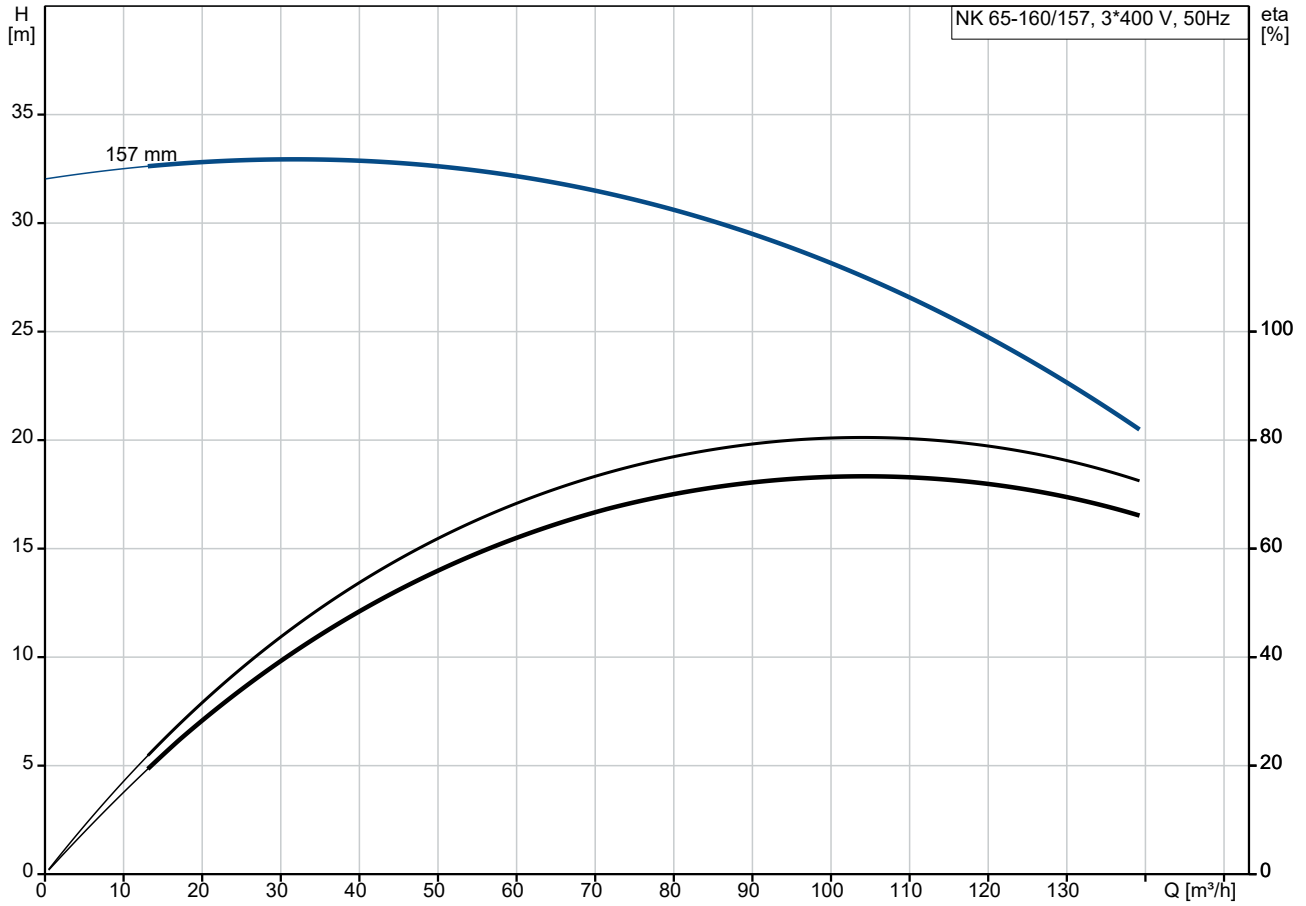
Created by:

Phone:

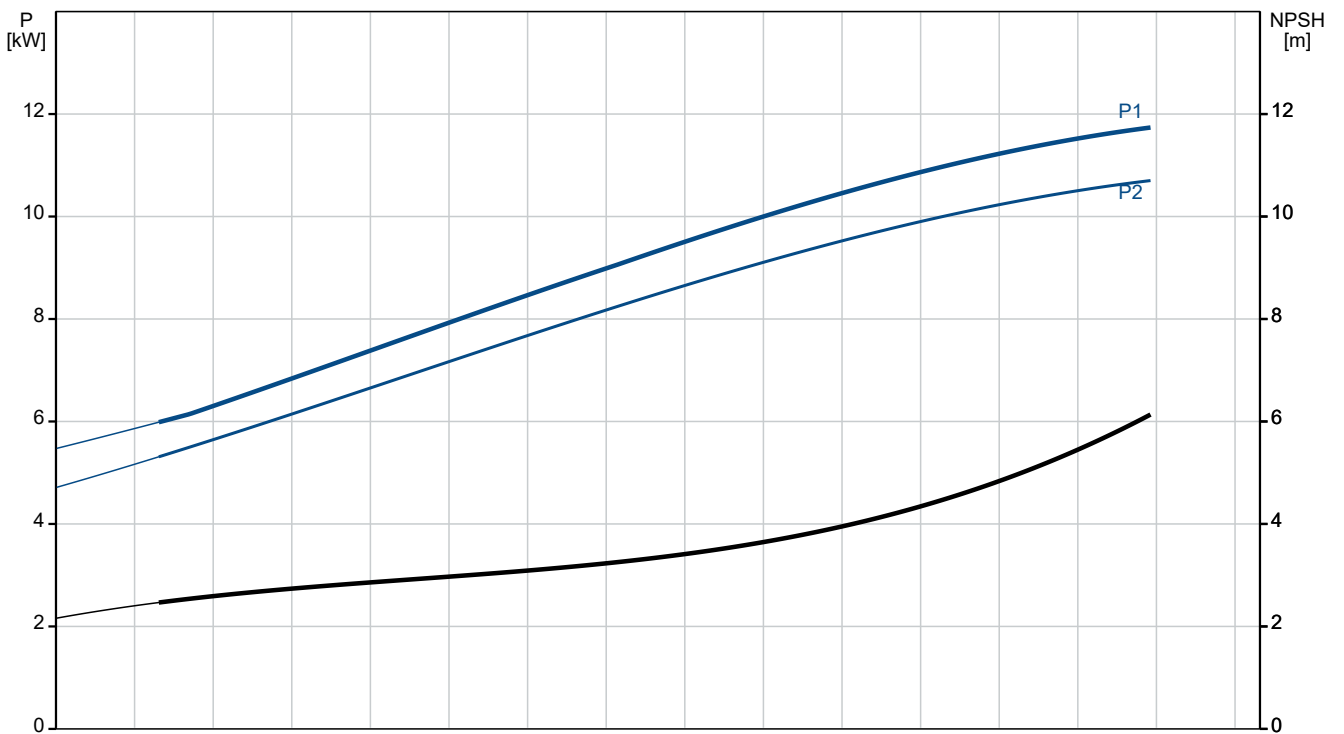
Date:

18/07/2024

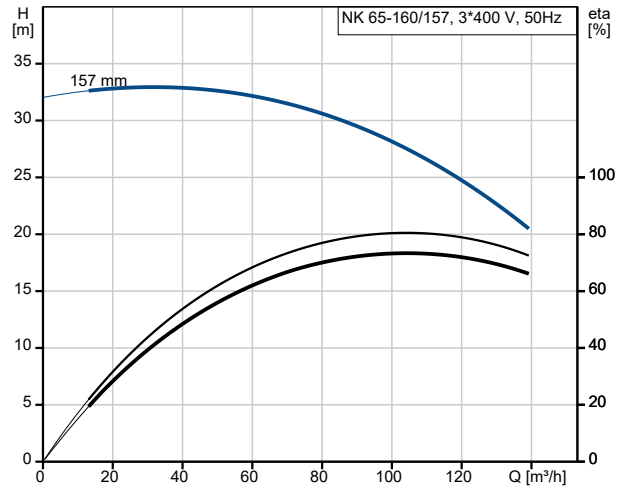
98318059 NK 65-160/157 AA1F2BESBAQENW1 50 Hz



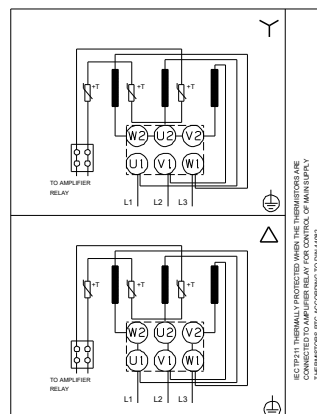
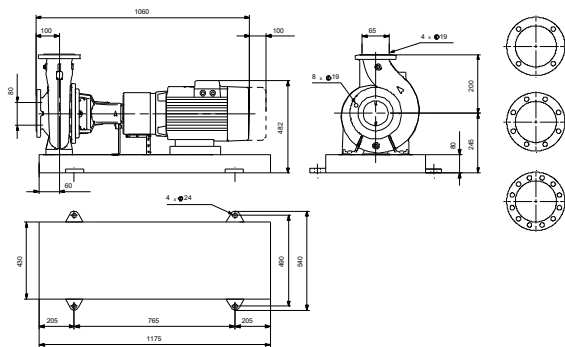
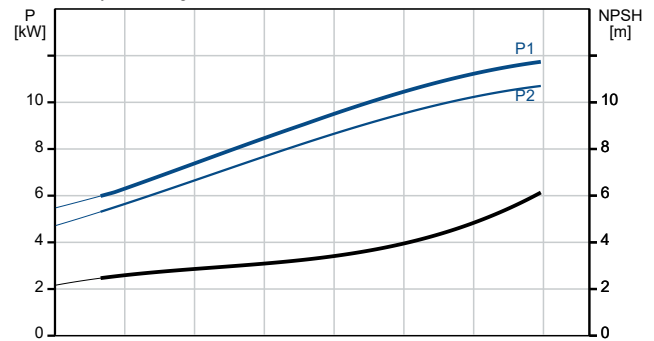
Pumped liquid = Water
Liquid temperature during operation = 20 °C
Density = 998.2 kg/m³



Description	Value
General information:	
Product name:	NK 65-160/157 AA1F2BESBAQENW1
Product No:	98318059
EAN number:	5711492944417
Technical:	
Pump speed on which pump data are based:	2955 rpm
Rated flow:	103.9 m ³ /h
Pump with motor (Yes/No):	Y
Rated head:	27.41 m
Actual impeller diameter:	157 mm
Nominal impeller diameter:	160
Shaft diameter:	24 mm
Code for shaft seal:	BAQE
Mechanical seal type:	Single
Curve tolerance:	ISO9906:2012 3B
Pump version:	A1
Bearing design:	Standard
Materials:	
Pump housing:	Cast iron
Pump housing:	EN-GJL-250
Pump housing:	ASTM class 35
Wear ring:	Brass
Impeller:	Bronze
Impeller:	CuSn10-C
Internal pump house coating:	CED
Material code:	B
Code for rubber:	E
Shaft:	Stainless steel
Shaft:	EN 1.4301
Shaft:	AISI 304
Installation:	
Maximum ambient temperature:	55 °C
Maximum operating pressure:	16 bar
Pipe connection standard:	EN 1092-2
Type of inlet connection:	DIN
Type of outlet connection:	DIN
Size of inlet connection:	DN 80
Size of outlet connection:	DN 65
Pressure rating for connection:	PN 16
Coupling type:	Flexible w/o spacer
Base frame design:	EN/ISO
Code for base frame:	6B ST
Grouting (Yes/No):	N
Connect code:	F
Liquid:	
Pumped liquid:	Water
Liquid temperature range:	0 .. 120 °C
Selected liquid temperature:	20 °C
Density:	998.2 kg/m ³
Electrical data:	
Motor type:	SIEMENS
Rated power - P2:	11 kW
Mains frequency:	50 Hz
Rated voltage:	3 x 380-420D/660-725Y V
Rated current:	19.6/11.3 A
Starting current:	790 %



Pumped liquid = Water
Liquid temperature during operation = 20 °C
Density = 998.2 kg/m³





Company name:

Created by:

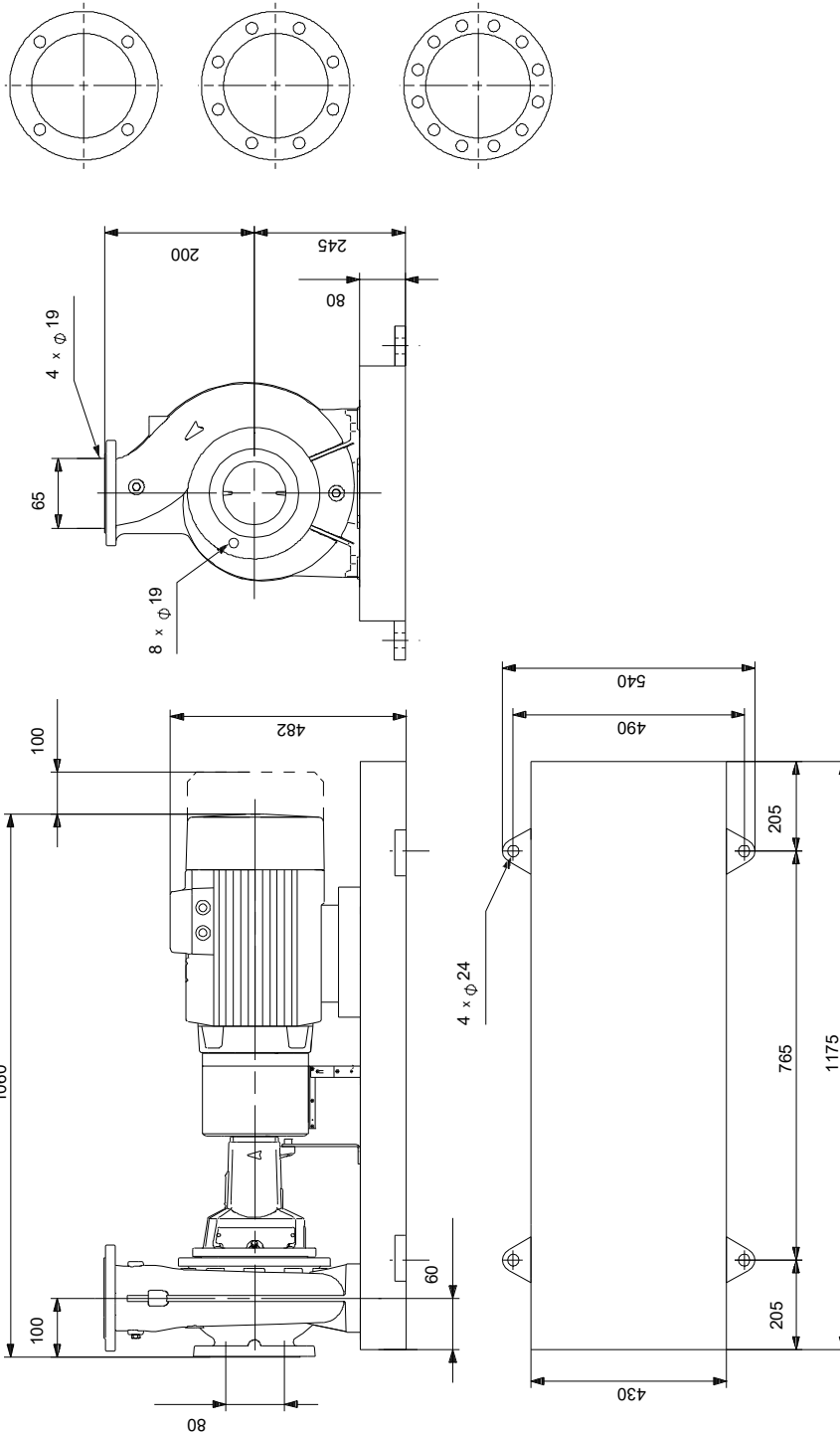
Phone:

Date:

18/07/2024

Description	Value
Cos phi - power factor:	0.89
Rated speed:	2955 rpm
IE efficiency:	IE3 91,2%
IE Efficiency class:	IE3
Motor efficiency at full load:	91.2 %
Motor efficiency at 3/4 load:	91.0 %
Motor efficiency at 1/2 load:	89.5 %
Number of poles:	2
Enclosure class (IEC 34-5):	IP55
Insulation class (IEC 85):	F
Built-in motor protection:	PTC
Motor No:	98943352
Bearing insulation type N-end:	Steel Bearing
Controls:	
Frequency converter:	None
Pressure sensor:	N
Others:	
Minimum efficiency index, MEI ≥:	0.70
Net weight:	203 kg
Gross weight:	218 kg
Shipping volume:	0.492 m ³
Language on pump nameplate:	GB

98318059 NK 65-160/157 AA1F2BESBAQENW1 50 Hz



Note! All units are in [mm] unless others are stated.
Disclaimer: This simplified dimensional drawing does not show all details.