



Company name:

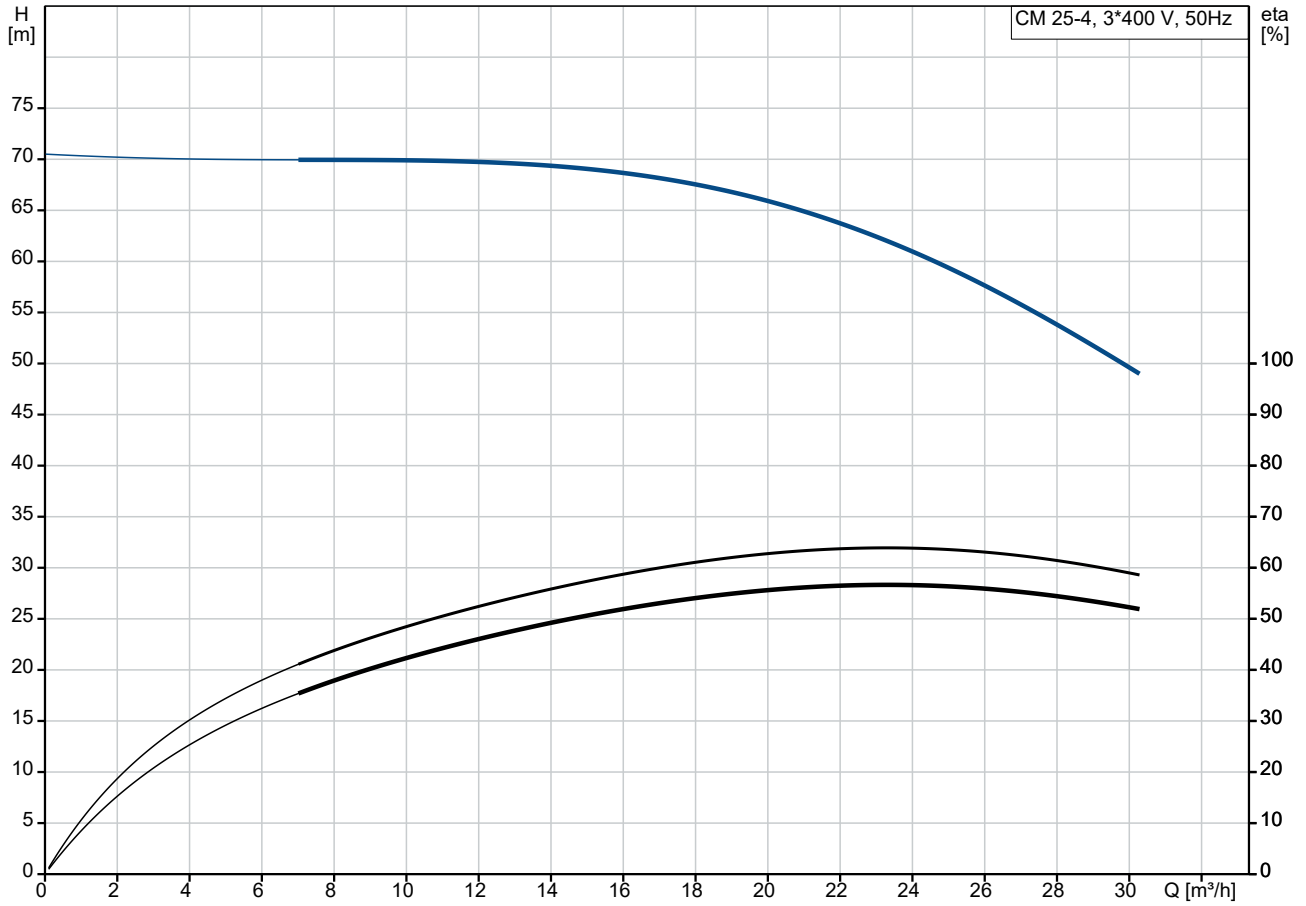
Created by:

Phone:

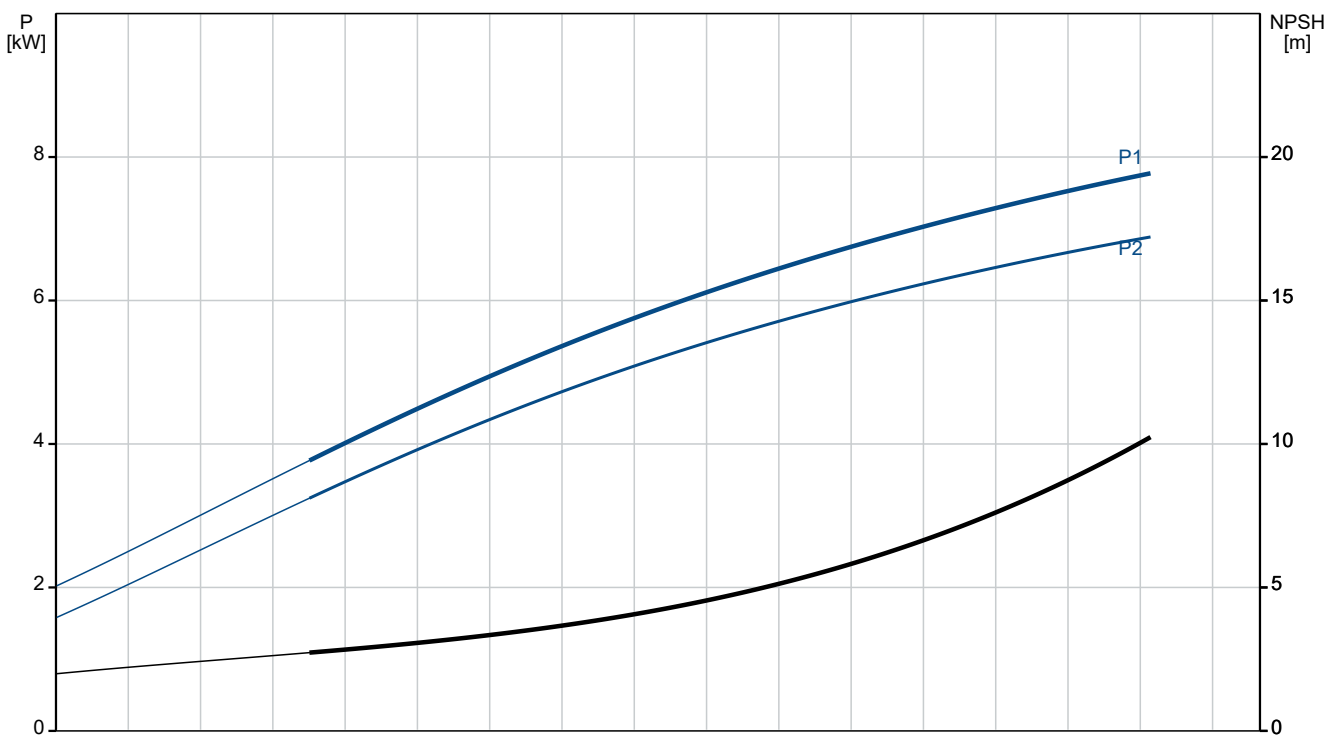
Date:

13/07/2024

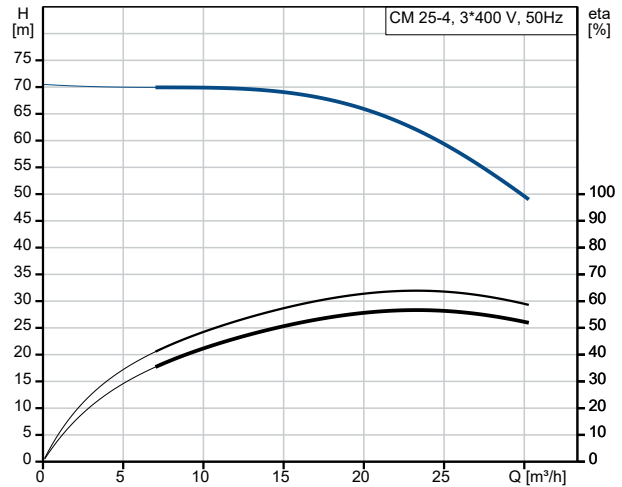
### 96935505 CM 25-4 A-R-G-E-AVBE F-A-A-N 50 Hz



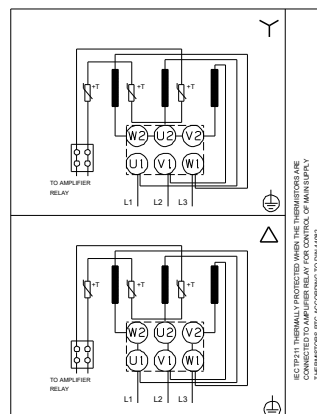
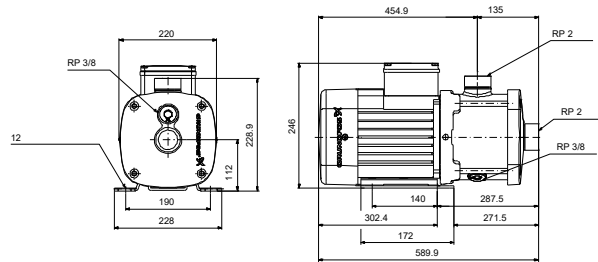
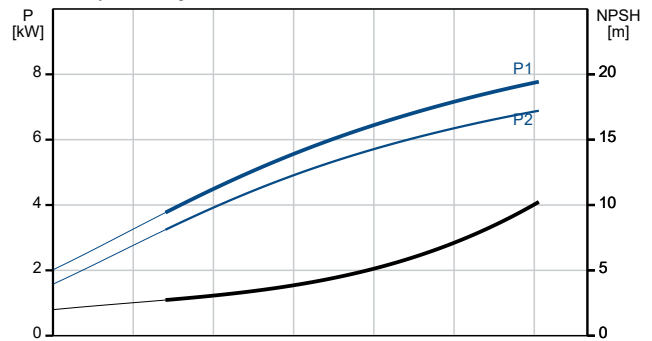
Pumped liquid = Water  
Liquid temperature during operation = 20 °C  
Density = 998.2 kg/m³



Description	Value
<b>General information:</b>	
Product name:	CM 25-4 A-R-G-E-AVBE F-A-A-N
Product No:	96935505
EAN number:	5700314054137
<b>Technical:</b>	
Pump speed on which pump data are based:	2900 rpm
Rated flow:	22 m <sup>3</sup> /h
Rated head:	62.55 m
Impellers:	4
Code for shaft seal:	AVBE
Approvals:	EAC
Approvals for drinking water:	ACS, NSF61, UBA
Curve tolerance:	ISO9906:2012 3B
Pump version:	A
Model:	A
<b>Materials:</b>	
Pump housing:	Stainless steel
Pump housing:	EN 1.4401
Pump housing:	AISI 316
Impeller:	Stainless steel
Impeller:	EN 1.4401
Impeller:	AISI 316
Material code:	G
Code for rubber:	E
<b>Installation:</b>	
Range of ambient temperature:	-20 .. 55 °C
Maximum operating pressure:	10 bar
Max pressure at stated temp:	10 bar / 40 °C
Max pressure at stated temp:	10 bar / 40 °C
Type of connection:	Rp
Size of inlet connection:	2 inch
Size of outlet connection:	2 inch
Outlet position:	12
Connect code:	R
<b>Liquid:</b>	
Pumped liquid:	Water
Liquid temperature range:	-20 .. 40 °C
Selected liquid temperature:	20 °C
Density:	998.2 kg/m <sup>3</sup>
<b>Electrical data:</b>	
Motor standard:	IEC
Frame size:	132SC
IE efficiency class:	IE2
Rated power - P2:	7.4 kW
Mains frequency:	50 Hz
Suitable for 50/60 Hz:	N
Rated voltage:	3 x 220-240D/380-415Y V
Service factor:	1.00
Rated current:	25,5-26,5/14,8-15,4 A
Starting current:	910-960 %
Rated speed:	2910-2930 rpm
Enclosure class (IEC 34-5):	IP55
Insulation class (IEC 85):	F
Built-in motor protection:	PTC
Cable included (Yes/No):	N
<b>Controls:</b>	



Pumped liquid = Water  
Liquid temperature during operation = 20 °C  
Density = 998.2 kg/m<sup>3</sup>





Company name:

Created by:

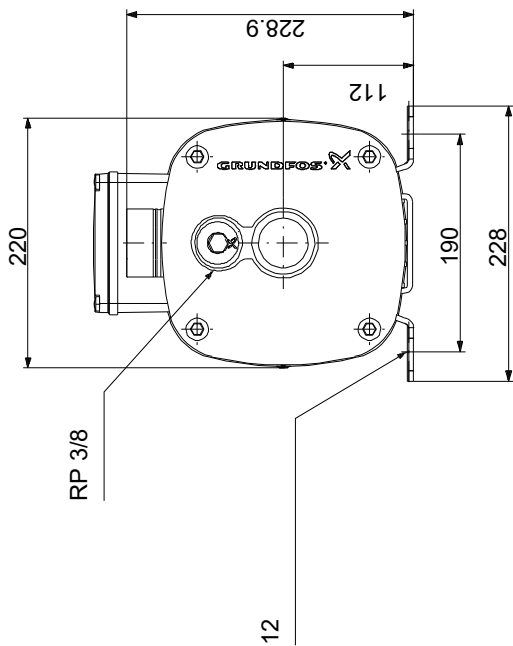
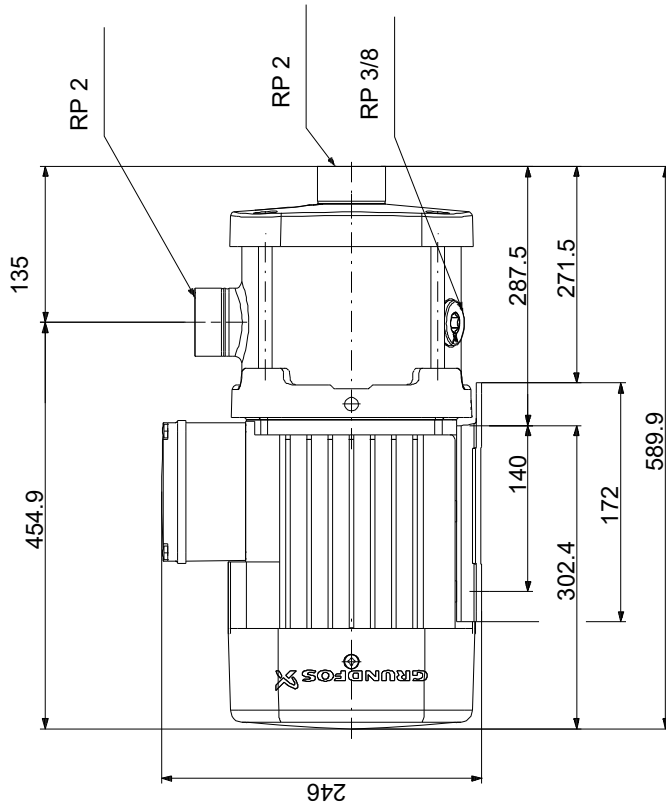
Phone:

Date:

13/07/2024

Description	Value
Frequency converter:	None
<b>Others:</b>	
Terminal box position:	12
Minimum efficiency index, MEI ≥:	0.41
Net weight:	51 kg
Gross weight:	53.5 kg

## 96935505 CM 25-4 A-R-G-E-AVBE F-A-A-N 50 Hz



Note! All units are in [mm] unless others are stated.  
Disclaimer: This simplified dimensional drawing does not show all details.