

Qty. Description

1 CM 15-4 A-R-G-E-AVBE F-A-A-N



Note! Product picture may differ from actual product

Product No.: [96935497](#)

Compact, reliable, horizontal, multistage, end-suction centrifugal pump with axial suction port and radial discharge port. Pump materials in contact with the liquid are in high-grade stainless steel. The mechanical shaft seal is a special designed, unbalanced O-ring seal. Pipework connection is via internal Whitworth pipe threads, Rp (ISO 7/1).

The pump is fitted with a 3-phase, foot-mounted, fan-cooled asynchronous motor.

Controls:

Frequency converter: None

Liquid:

Pumped liquid: Water
 Liquid temperature range: -20 .. 40 °C
 Selected liquid temperature: 20 °C
 Density: 998.2 kg/m³

Technical:

Pump speed on which pump data are based: 2900 rpm
 Rated flow: 17 m³/h
 Rated head: 56.73 m
 Code for shaft seal: AVBE
 Approvals: EAC
 Approvals for drinking water: ACS,NSF61,UBA
 Curve tolerance: ISO9906:2012 3B

Materials:

Pump housing: Stainless steel
 EN 1.4401
 AISI 316
 Impeller: Stainless steel
 EN 1.4401
 AISI 316

Installation:

Range of ambient temperature: -20 .. 55 °C
 Maximum operating pressure: 10 bar
 Max pressure at stated temp: 10 bar / 40 °C
 10 bar / 40 °C
 Type of connection: Rp
 Size of inlet connection: 2 inch
 Size of outlet connection: 2 inch
 Outlet position: 12

Electrical data:

Motor standard: IEC



Company name:

Created by:

Phone:

Date:

25/06/2024

Qty. Description

1	Frame size:	132SB
	IE efficiency class:	IE2
	Rated power - P2:	5.8 kW
	Mains frequency:	50 Hz
	Suitable for 50/60 Hz:	N
	Rated voltage:	3 x 220-240D/380-415Y V
	Service factor:	1.00
	Rated current:	20,4-19,0/11,8-11,0 A
	Starting current:	890-970 %
	Rated speed:	2900-2980 rpm
	Enclosure class (IEC 34-5):	IP55
	Insulation class (IEC 85):	F
	Built-in motor protection:	PTC
	Cable included (Yes/No):	N
	Others:	
	Terminal box position:	12
	Minimum efficiency index, MEI \geq :	0.59
	Net weight:	43.6 kg
	Gross weight:	46.1 kg



Company name:

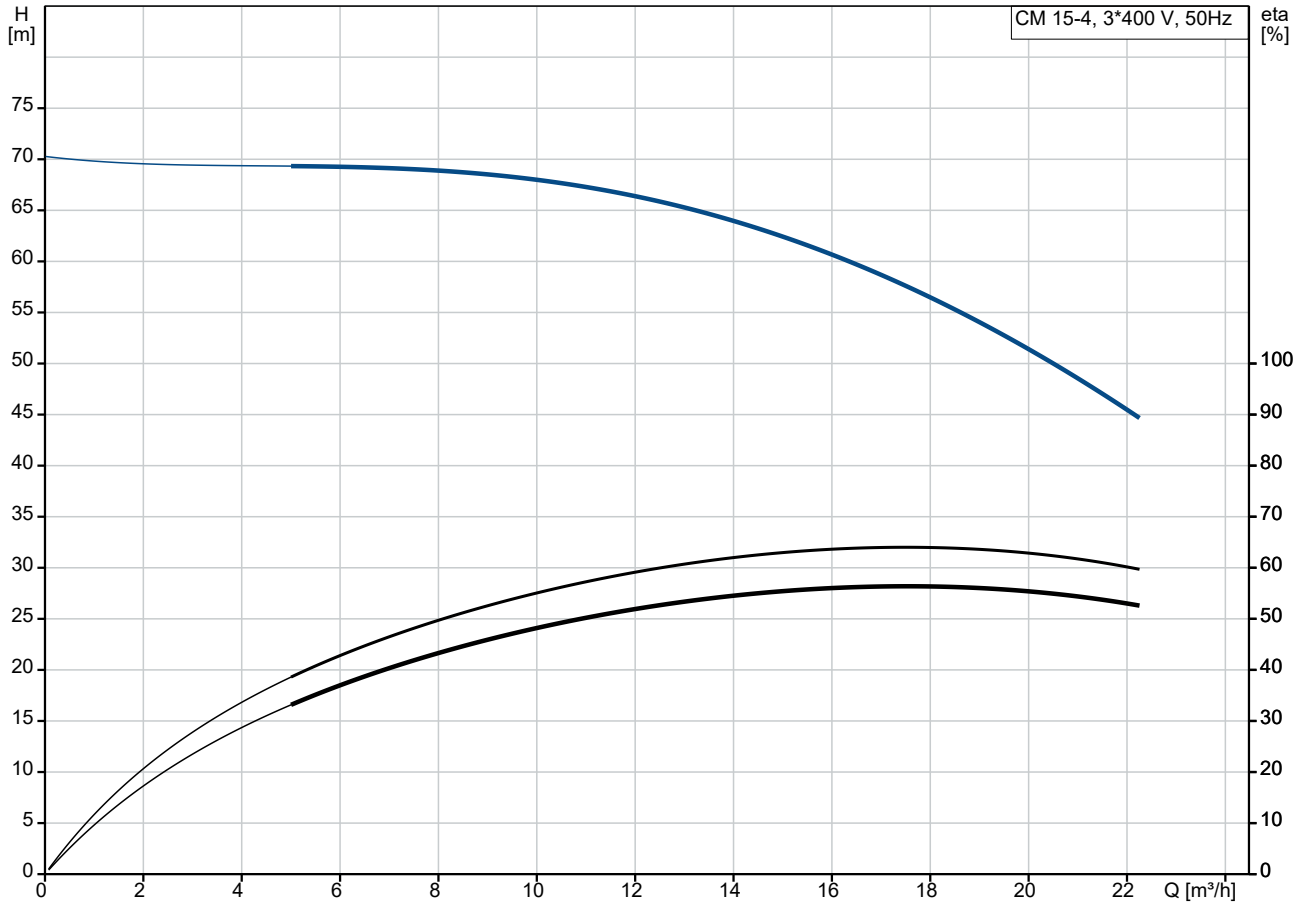
Created by:

Phone:

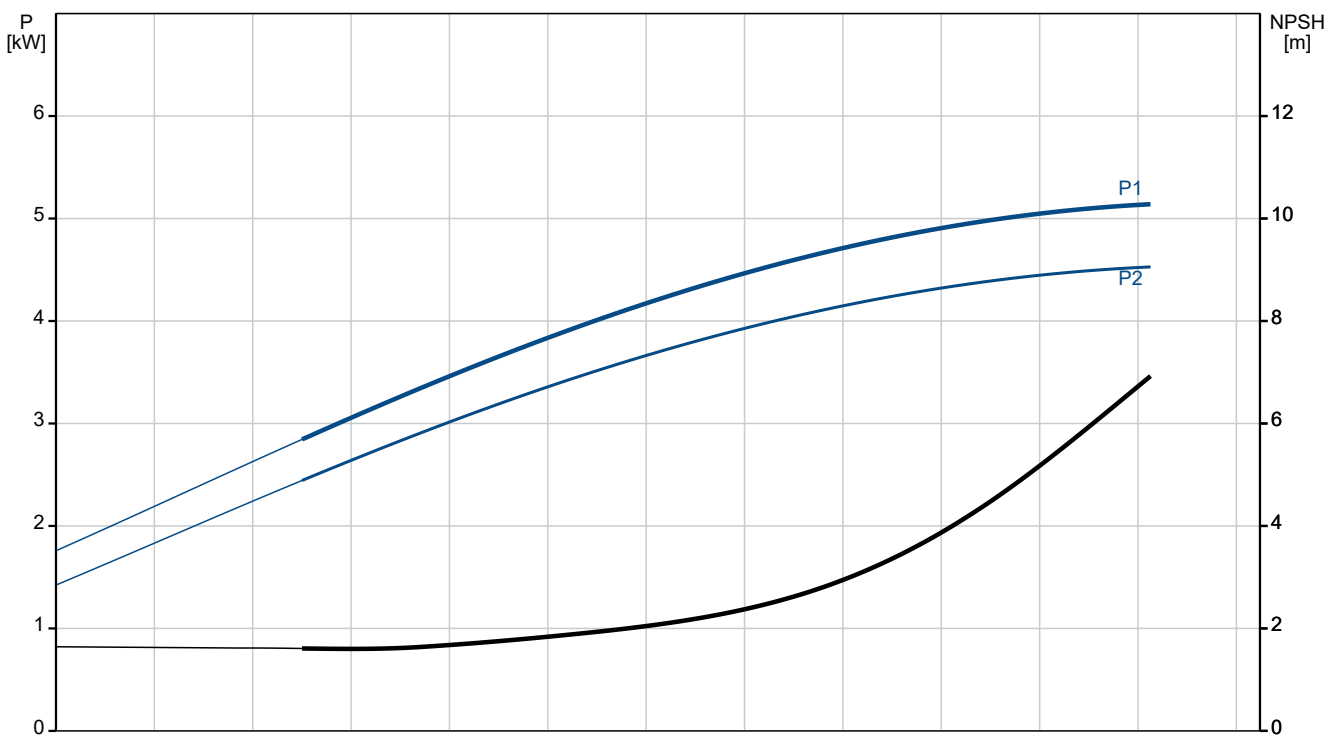
Date:

25/06/2024

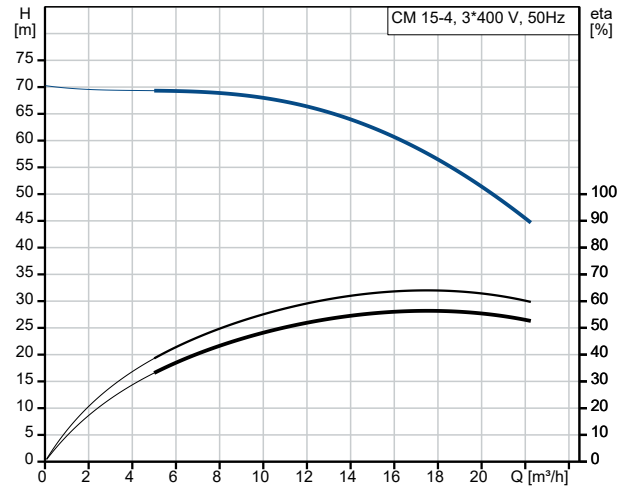
96935497 CM 15-4 A-R-G-E-AVBE F-A-A-N 50 Hz



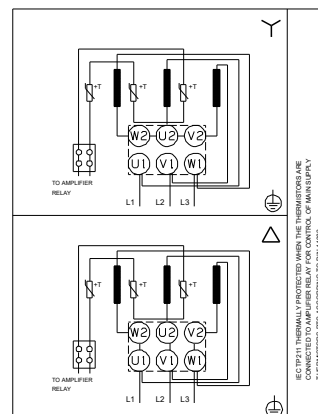
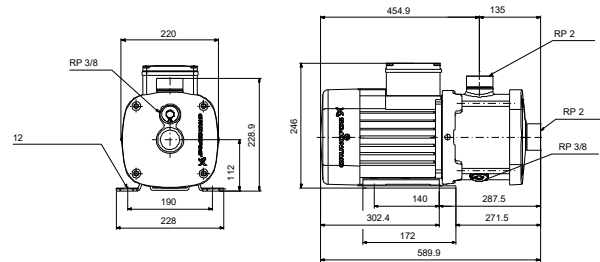
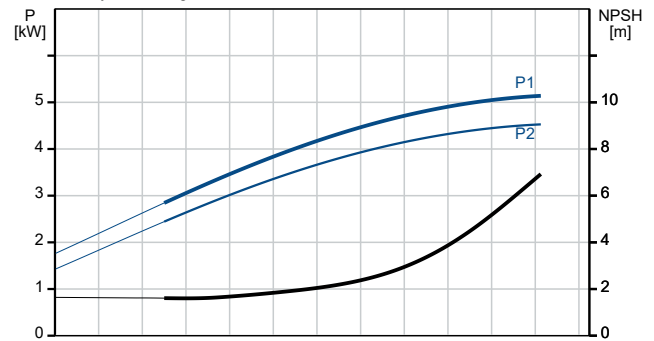
Pumped liquid = Water
Liquid temperature during operation = 20 °C
Density = 998.2 kg/m³



Description	Value
General information:	
Product name:	CM 15-4 A-R-G-E-AVBE F-A-A-N
Product No:	96935497
EAN number:	5700314054052
Technical:	
Pump speed on which pump data are based:	2900 rpm
Rated flow:	17 m ³ /h
Rated head:	56.73 m
Impellers:	4
Code for shaft seal:	AVBE
Approvals:	EAC
Approvals for drinking water:	ACS, NSF61, UBA
Curve tolerance:	ISO9906:2012 3B
Pump version:	A
Model:	A
Materials:	
Pump housing:	Stainless steel
Pump housing:	EN 1.4401
Pump housing:	AISI 316
Impeller:	Stainless steel
Impeller:	EN 1.4401
Impeller:	AISI 316
Material code:	G
Code for rubber:	E
Installation:	
Range of ambient temperature:	-20 .. 55 °C
Maximum operating pressure:	10 bar
Max pressure at stated temp:	10 bar / 40 °C
Max pressure at stated temp:	10 bar / 40 °C
Type of connection:	Rp
Size of inlet connection:	2 inch
Size of outlet connection:	2 inch
Outlet position:	12
Connect code:	R
Liquid:	
Pumped liquid:	Water
Liquid temperature range:	-20 .. 40 °C
Selected liquid temperature:	20 °C
Density:	998.2 kg/m ³
Electrical data:	
Motor standard:	IEC
Frame size:	132SB
IE efficiency class:	IE2
Rated power - P2:	5.8 kW
Mains frequency:	50 Hz
Suitable for 50/60 Hz:	N
Rated voltage:	3 x 220-240D/380-415Y V
Service factor:	1.00
Rated current:	20,4-19,0/11,8-11,0 A
Starting current:	890-970 %
Rated speed:	2900-2980 rpm
Enclosure class (IEC 34-5):	IP55
Insulation class (IEC 85):	F
Built-in motor protection:	PTC
Cable included (Yes/No):	N
Controls:	



Pumped liquid = Water
 Liquid temperature during operation = 20 °C
 Density = 998.2 kg/m³





Company name:

Created by:

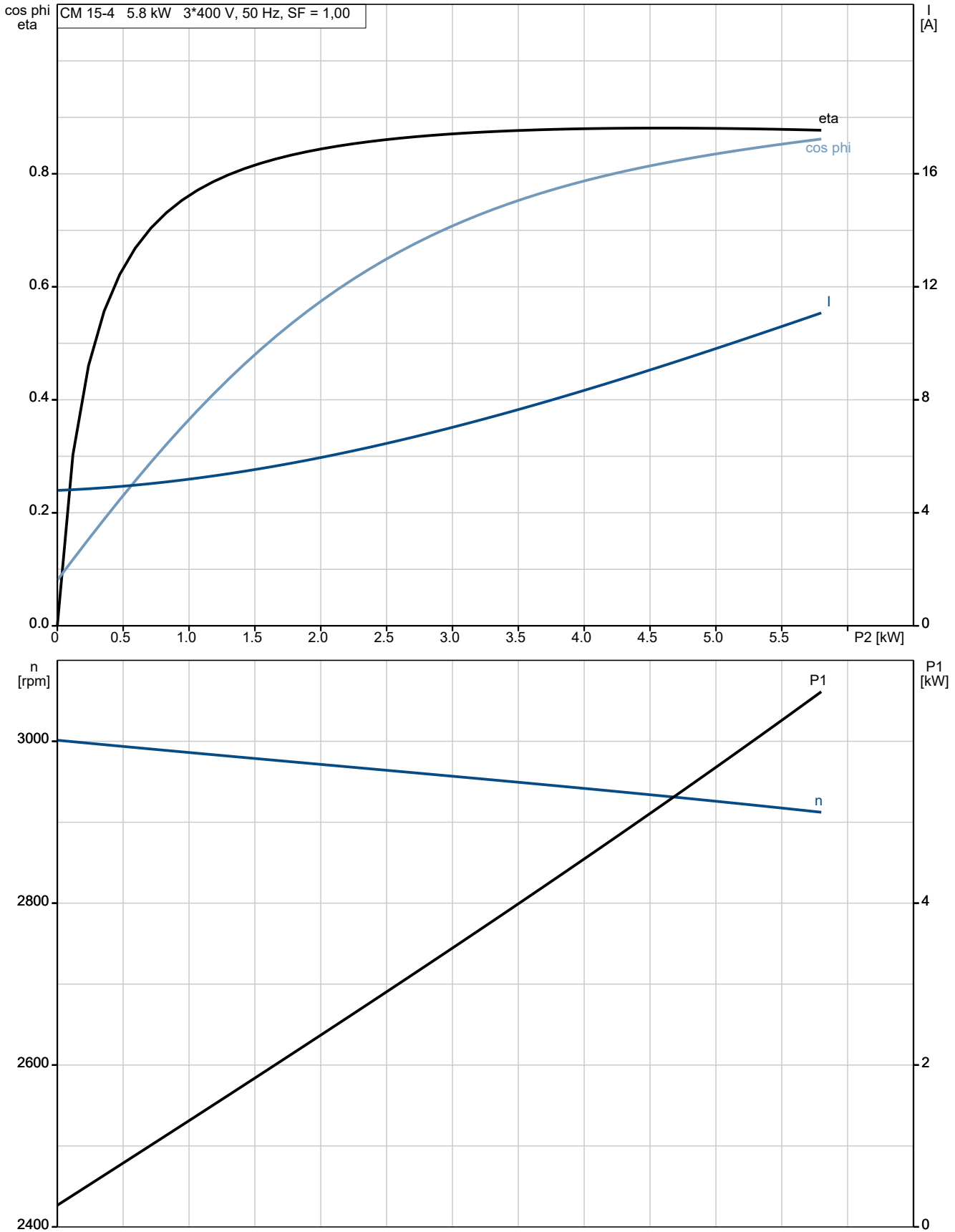
Phone:

Date:

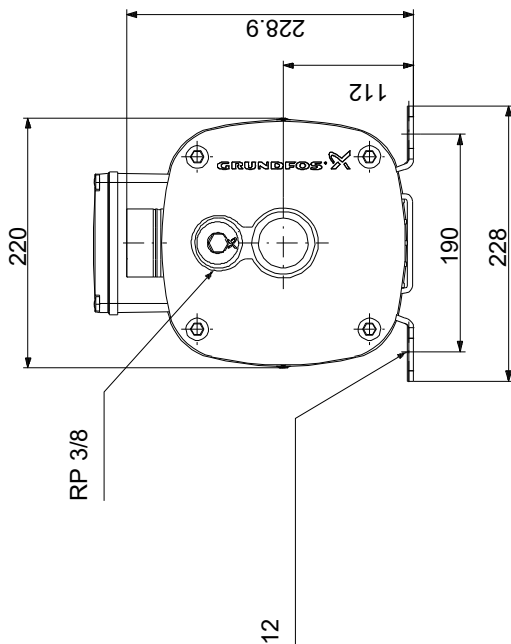
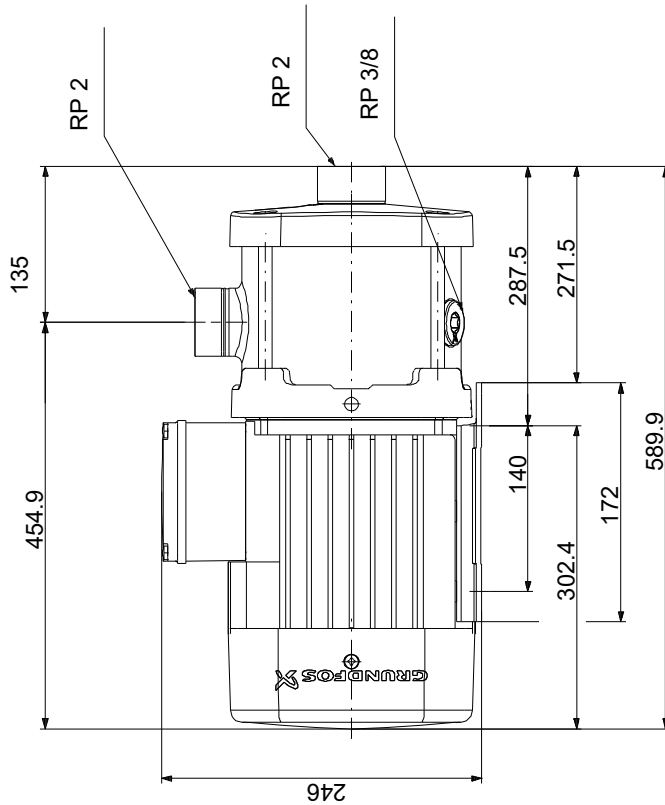
25/06/2024

Description	Value
Frequency converter:	None
Others:	
Terminal box position:	12
Minimum efficiency index, MEI ≥:	0.59
Net weight:	43.6 kg
Gross weight:	46.1 kg

96935497 CM 15-4 A-R-G-E-AVBE F-A-A-N 50 Hz



96935497 CM 15-4 A-R-G-E-AVBE F-A-A-N 50 Hz



Note! All units are in [mm] unless others are stated.
Disclaimer: This simplified dimensional drawing does not show all details.