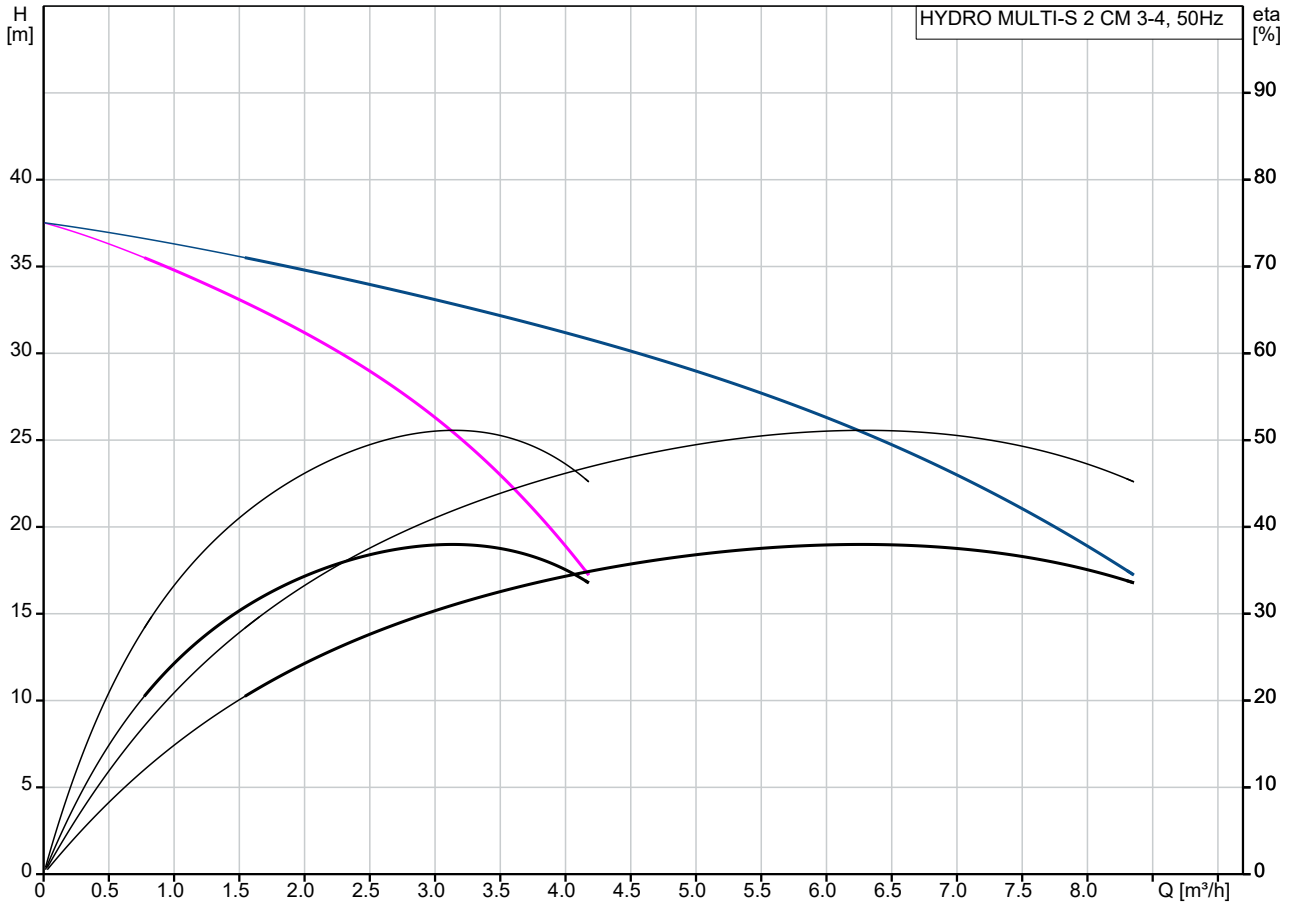
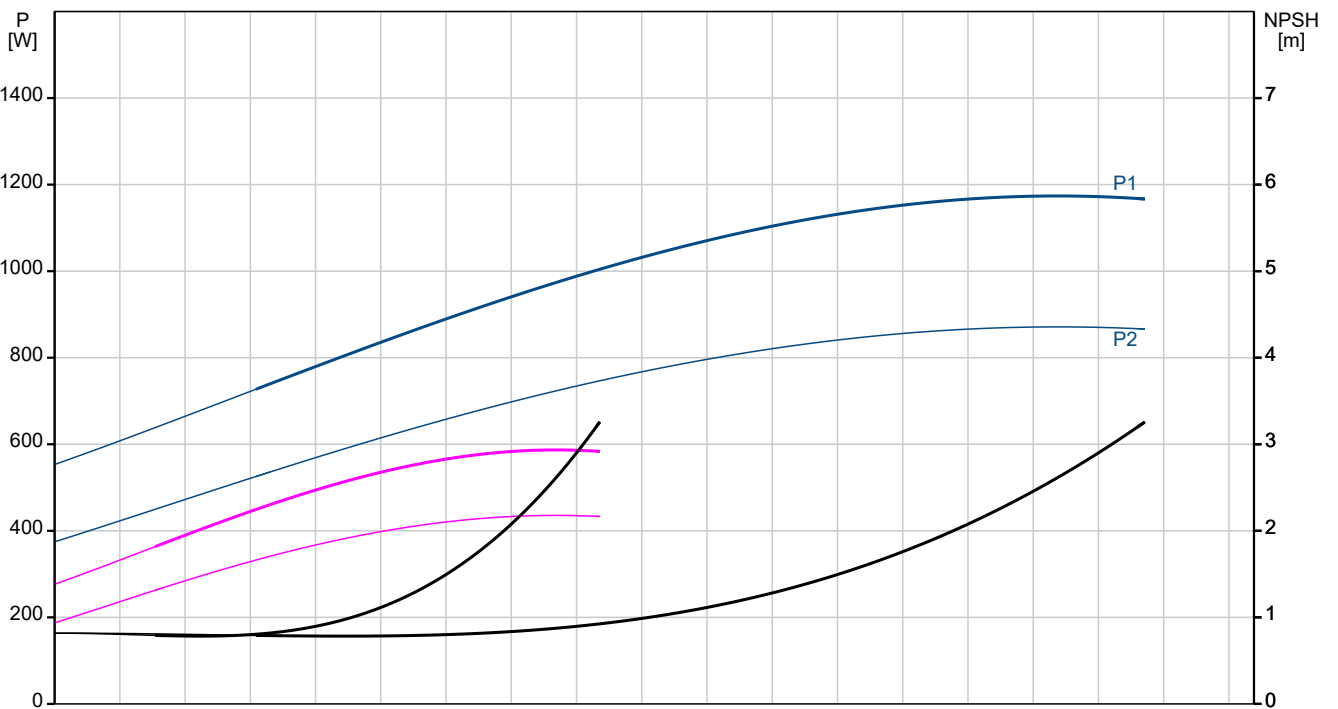


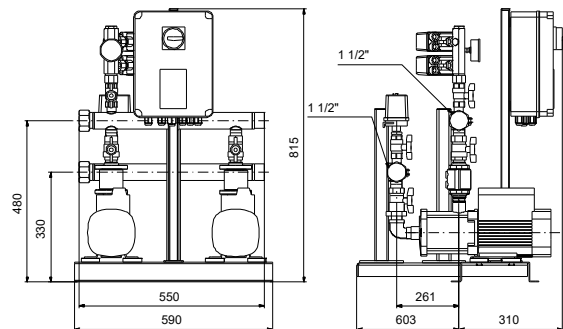
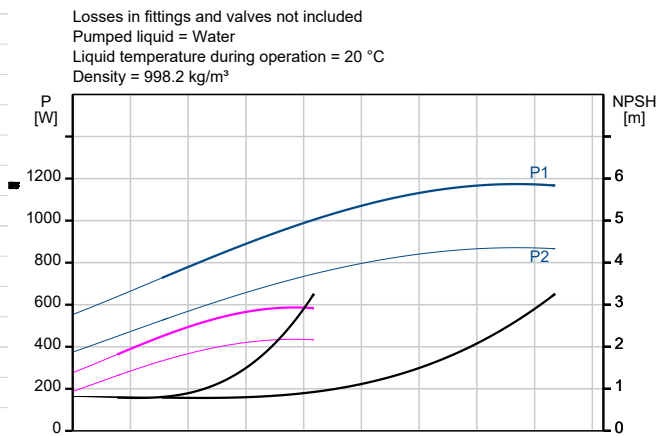
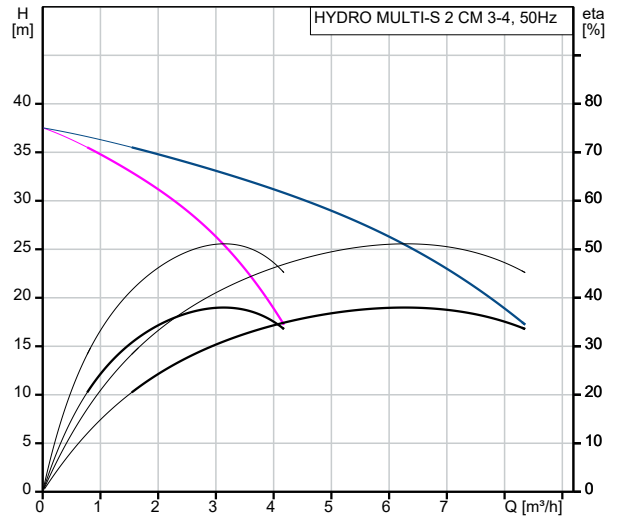
## 98678652 HYDRO MULTI-S 2 CM 3-4 50 Hz



Losses in fittings and valves not included  
 Pumped liquid = Water  
 Liquid temperature during operation = 20 °C  
 Density = 998.2 kg/m³



Description	Value
<b>General information:</b>	
Product name:	HYDRO MULTI-S 2 CM 3-4
Product No:	98678652
EAN number:	5711499469463
<b>Technical:</b>	
Rated flow:	6 m <sup>3</sup> /h
Maximum flow:	8.6 m <sup>3</sup> /h
Min flow system:	0.8 m <sup>3</sup> /h
Max flow system:	8.6 m <sup>3</sup> /h
Rated head:	28 m
Maximum head:	37 m
Approvals:	CE
Pump name:	CM3-4
Model:	A
Non-ret. valve:	NO
Number of pumps:	2
<b>Materials:</b>	
Pump housing:	Cast iron
Pump housing:	EN 1561 EN-GJL-200
Pump housing:	ASTM A48-25A
Manifold:	Galvanised steel
Base:	Steel
Base:	EN 1.0533
<b>Installation:</b>	
Maximum operating pressure:	10 bar
Pipe connection:	1 1/2"
Earth connection:	PE
<b>Liquid:</b>	
Pumped liquid:	Water
Liquid temperature range:	5 .. 40 °C
Selected liquid temperature:	20 °C
Density:	998.2 kg/m <sup>3</sup>
<b>Electrical data:</b>	
Rated power - P2:	0.46 kW
Mains frequency:	50 Hz
Rated voltage:	3 x 380-415 V
Method of start:	DOL
Enclosure class (IEC 34-5):	IP54
<b>Others:</b>	
Net weight:	60 kg
Gross weight:	80 kg
Shipping volume:	0.907 m <sup>3</sup>
Language:	GB
Sales region:	APAC





Company name:

Created by:

Phone:

Date:

19/07/2024

# 98678652 HYDRO MULTI-S 2 CM 3-4 50 Hz

